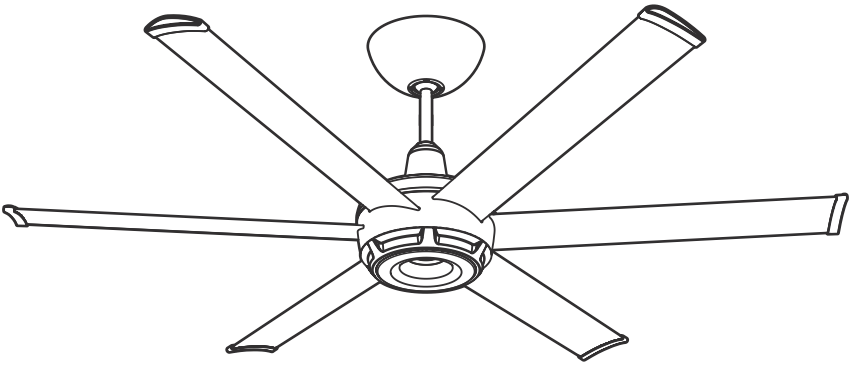




READ AND SAVE THESE INSTRUCTIONS

À LIRE ET À CONSERVER EN LIEU SÛR
LEA Y CONSERVE ESTAS INSTRUCCIONES



es6[®]

Installation Guide

Guide d'installation

Guía de instalación

bigassfans.com





For assistance with troubleshooting issues that arise during fan installation, please contact Customer Service while the installer is present at the installation site. Customer Service hours of operation are 8:00 AM to 6:00 PM Eastern Standard Time.

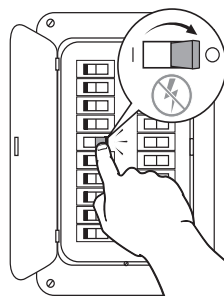
INSTALLER: Record fan serial number:

BEFORE YOU START

☑ Turn off Power at Breaker

Input Voltage: 100–277 VAC, 1 Φ , 50/60 Hz

Do not connect the fan to a damaged power source. Do not attempt to resolve electrical failures on your own. Contact a licensed electrician if you are uncomfortable performing electrical work. A licensed electrician must install the fan if required by local code.



⚠ **Do not use the fan with a dimmer switch or a third-party switch.**

⚠ **WARNING:** Installation must be in accordance with the requirements set forth by the National Electrical Code (NEC, United States), ANSI/NFPA 70, and all national and local codes.

⚠ **The ground wire must be connected to the supply ground and its length must be longer than the safety cable.**

⚠ **A means for disconnection must be incorporated in the fixed wiring in accordance with the wiring rules.**

☑ Gather Tools



Provided with fan

☑ Prepare Fan Site

Outlet Box: Make sure your outlet box is suitable for fan support. If there is not an outlet box at the fan location, install one on a ceiling joist or beam.

Concrete Ceiling: Install an anchor hook for the safety cable if required by your local building and safety code. See the following page for installation details.

Wood Ceiling Joist: Attach the mounting bracket directly to the joist using two wood screws (not supplied). Recommended: Corrosion-resistant 12-11 x 45 mm hex head timber screws with seal. If required by local code, mount or embed an outlet box into the joist. The outlet box must be suitable for fan support.

⚠ **The mounting/fixing means for attachment to the ceiling such as hooks or other devices shall be fixed with a sufficient strength to withstand four times the weight of the ceiling fan.**

Models and Maximum Weight:

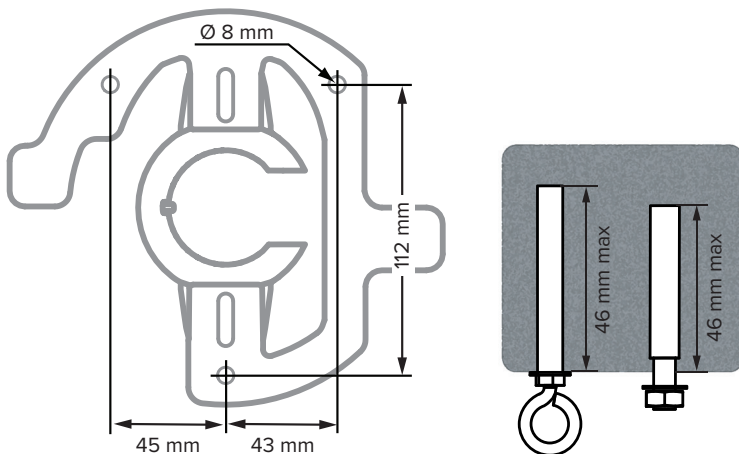
MK-ES62-052306: 25 lb (11.3 kg), MK-ES62-062306: 27 lb (12.1 kg),

MK-ES62-072306: 29 lb (13.2 kg)

☑ Prepare Concrete Ceiling (if applicable)

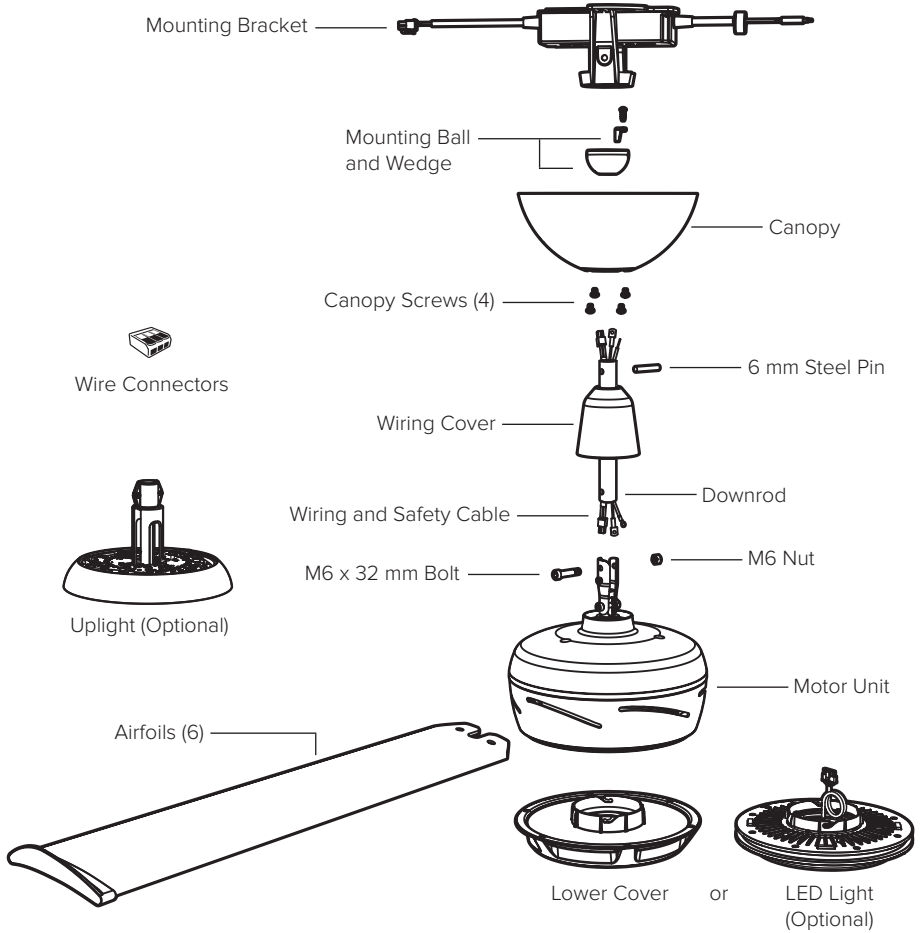
Drill three $\text{\O} 8$ mm holes in the pattern shown. The hole depth should not exceed 46 mm. Remove any dust from the holes. Insert three anchor bolts into the holes. Strike the heads of the anchor bolts with a hammer, ensuring the bolt sleeves are flush with the ceiling surface. Position the mounting bracket on the anchor bolts. Ensure all three anchor bolts are fully tightened to expand and lock the anchors.

If required by local building and safety codes, install an anchor hook for the safety cable. Drill an $\text{\O} 8$ mm hole for the anchor hook. The hole depth should not exceed 46 mm. Remove any dust from the hole, and then insert the anchor hook and fully tighten.



PARTS AND HARDWARE

If the EMI filter is included, install it with your fan. EMI filter not applicable to North American installations.

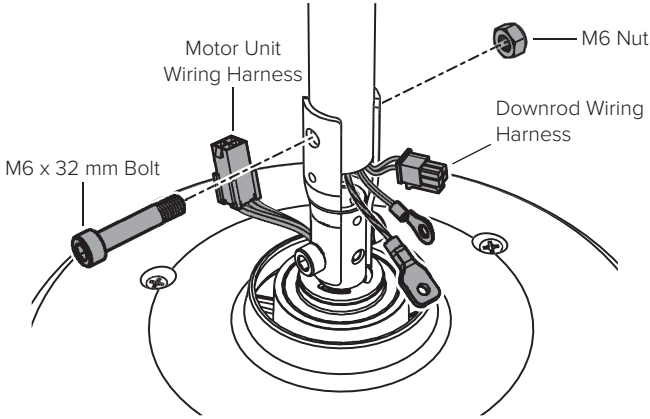


INSTALLATION

1. Install downrod

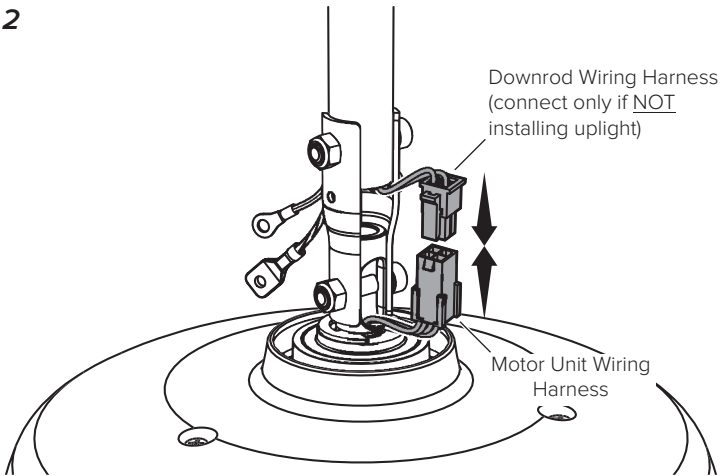
Align holes on downrod with holes on motor bracket. Secure downrod with the M6 x 32 mm bolt and M6 nut (Fig. 1.1). If you are installing the optional upright, make sure the downrod wiring harness and the motor unit wiring harness are on opposite sides of the downrod. This will make the harnesses easier to connect to the upright.

Fig. 1.1



If you are **NOT** installing the upright, connect downrod wiring harness to motor unit wiring harness (Fig. 1.2). If you are installing the upright, do not connect the downrod wiring harness.

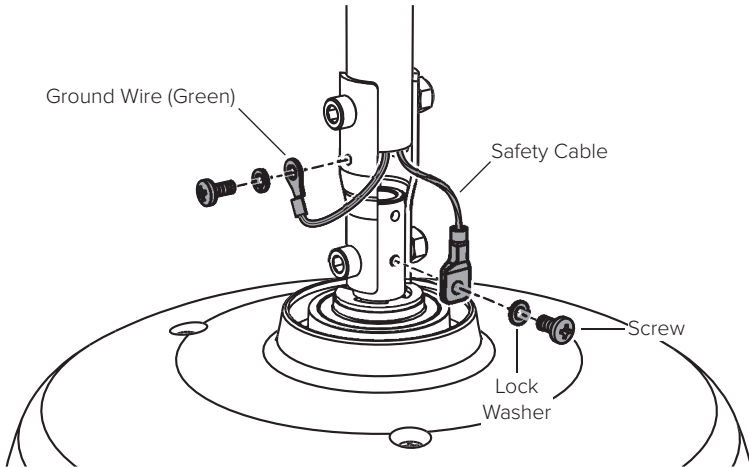
Fig. 1.2



2. Install lower safety cable and ground wire

Install safety cable and ground wire lugs with unpainted screws and lock washers (Fig. 2).

Fig. 2

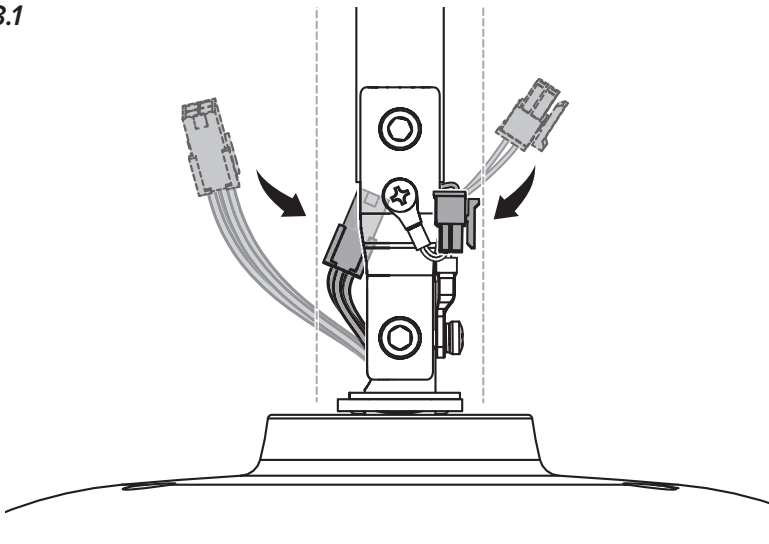


3. Install uplight (optional)

Skip this step if you are not installing the uplight.

Make sure wiring harnesses are as close to downrod as possible so that they do not interfere with uplight installation (Fig. 3.1).

Fig. 3.1

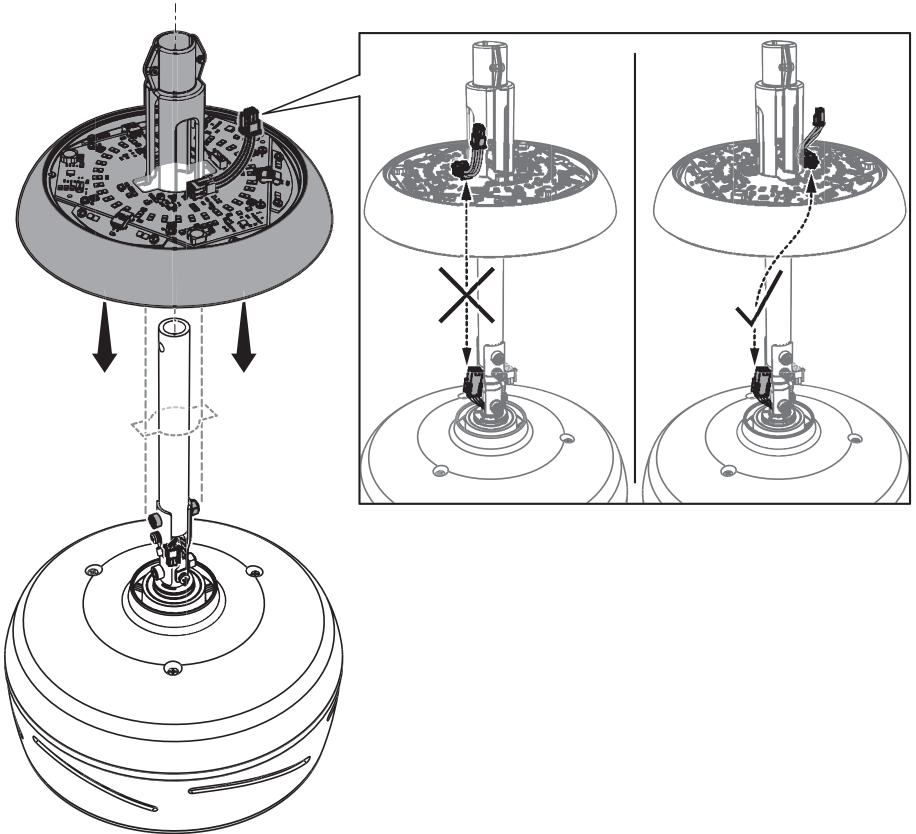


3. Install upright (optional) (cont.)

Skip this step if you are not installing the upright.

Align rectangular cutouts in center of upright with bolts on downrod. Make sure upright wiring harness and motor unit wiring harness are on opposite sides of downrod. This will make the harnesses easier to connect. Slide upright down the downrod, resting it on the fan hub (Fig. 3.2).

Fig. 3.2



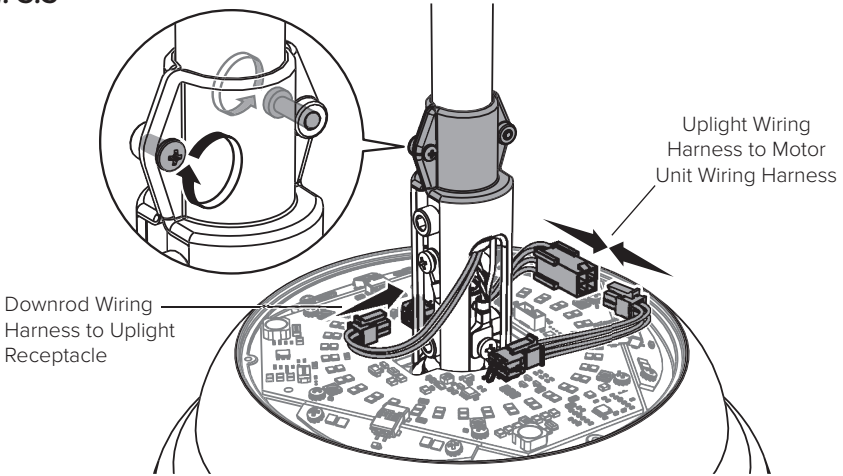
⚠ WARNING: Skin or eye damage may result from directly viewing ultraviolet light produced by the lamp in this apparatus. Always disconnect power before relamping or servicing. Replace ultraviolet LEDs with Model No. 1050-45-50, manufactured by Big Ass Fans.

3. Install uplight (optional) (cont.)

Skip this step if you are not installing the uplight.

Tighten the two set screws at top of uplight. Connect uplight wiring harness to motor unit wiring harness. Connect downrod wiring harness to receptacle on uplight (*Fig. 3.3*).

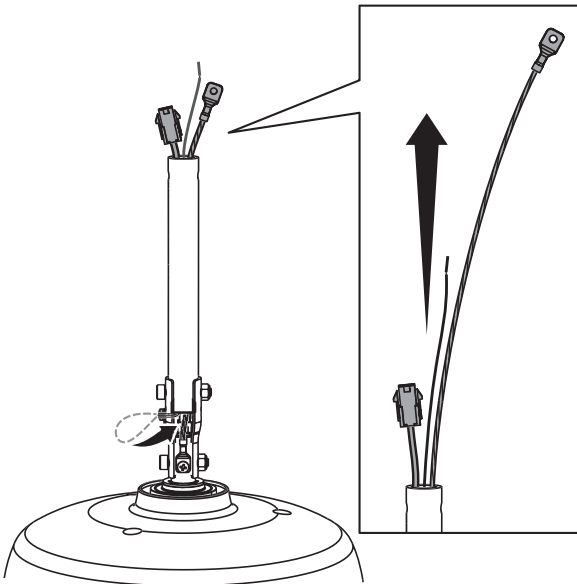
Fig. 3.3



4. Reduce slack

Make sure all hardware is secure, and then gently tug cables at top of downrod to reduce slack (*Fig. 4*).

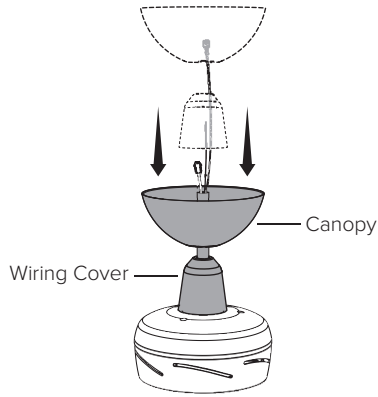
Fig. 4



5. Position wiring cover and canopy

Slide wiring cover down downrod, resting it on the fan hub or uplight. Make sure no wires are visible between the cover and fan hub or uplight. Slide canopy down downrod, resting it on the wiring cover (Fig. 5).

Fig. 5



6. Install mounting ball

Slide mounting ball over downrod (Fig. 6.1).

Insert 6 mm steel pin into hole at top of downrod, and then slide the mounting ball upward, seating the steel pin in the inner slots (Fig. 6.2).

Insert wedge into mounting ball and secure with screw. Tighten screw enough to prevent movement between the mounting ball and downrod, but do not over-tighten (Fig. 6.3).

Fig. 6.1

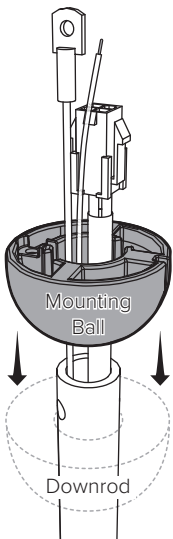


Fig. 6.2

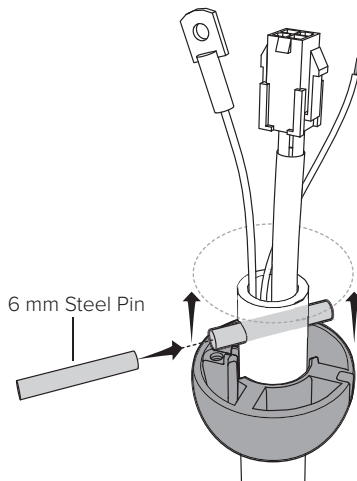
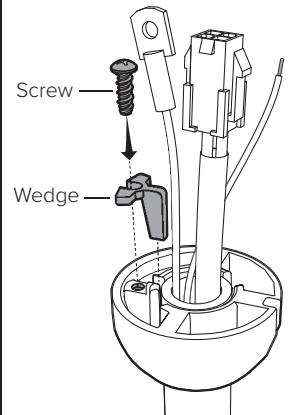


Fig. 6.3



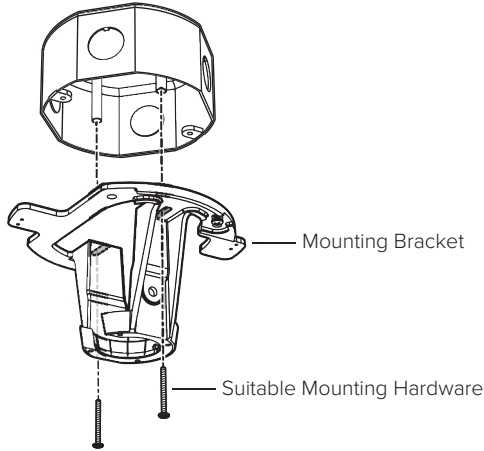
7. Install mounting bracket

⚠️ Disconnect power to fan location before installing mounting bracket.

⚠️ WARNING: Mount only to an outlet box marked acceptable for fan support.

Secure mounting bracket to mounting structure with suitable hardware (not supplied) (Fig. 7). **Outlet box shown. Your mounting structure may differ from the illustration. Power supply omitted from mounting bracket illustration for clarity.**

Fig. 7

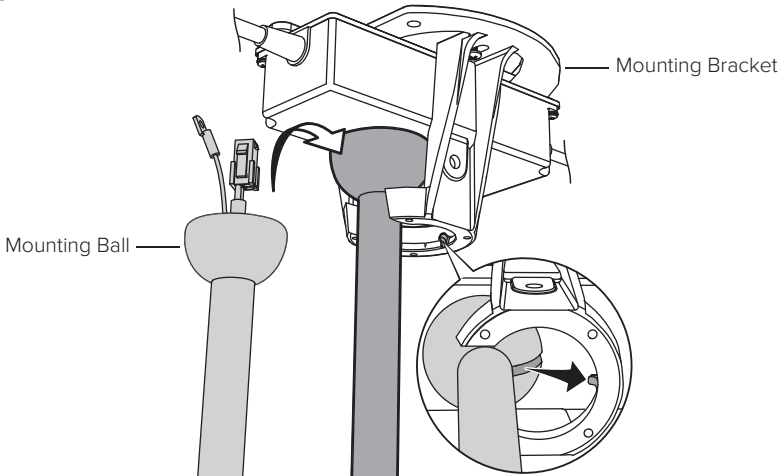


8. Hang fan

Raise fan to mounting bracket. Align rib in mounting bracket with slot in mounting ball, position mounting ball, and let fan hang freely (Fig. 8).

Gently twist downrod to ensure it is properly seated and will not move during fan operation.

Fig. 8



9a. Wire fan (no EMI filter)

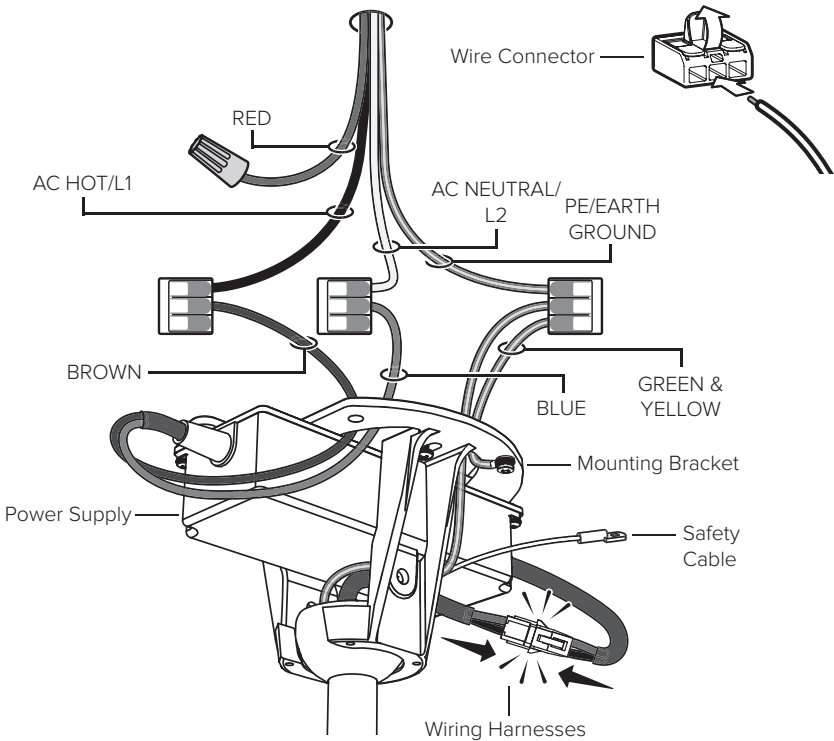
⚠️ Disconnect power to fan location before wiring fan.

⚠️ Do not use the fan with a dimmer switch or a third-party switch.

Wire fan as shown using the wire connectors (Fig. 9a). Attach green ground wire to mounting bracket with the unpainted screw. Connect wiring harness from power supply to wiring harness from downrod, making sure that the wiring and safety cable are routed in the same direction.

Carefully tuck wiring into outlet box or building structure. Ensure wire connectors are turned upward and that wires are spread apart with grounded conductors on one side of the outlet box/mounting structure and ungrounded conductors on the other side.

Fig. 9a



Supply Power Wire Color Chart

	North America 100–120 V	Australia	All other regions
AC Hot/L1 Brown	Black	Brown or Red	Brown
AC Neutral/L2 Blue	White	Black or Light Blue	Blue
PE/Earth Ground Green with Yellow	Green or Bare Copper	Green with Yellow	Green with Yellow

9b. Wire fan (with EMI filter)

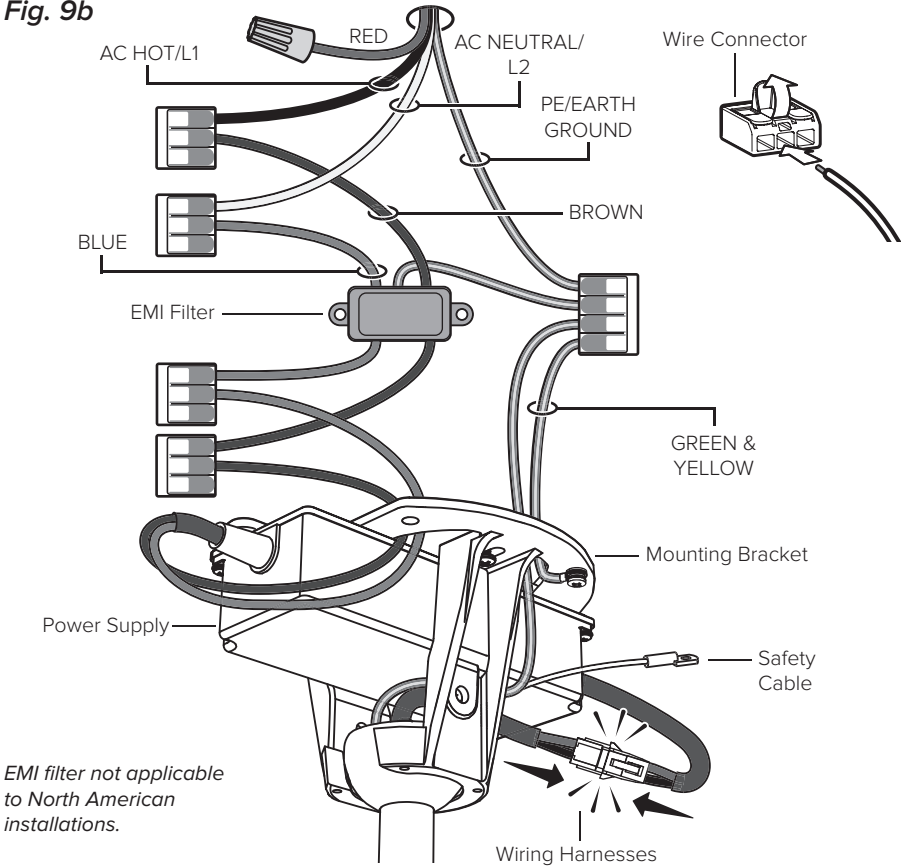
⚠️ Disconnect power to fan location before wiring fan.

⚠️ Do not use the fan with a dimmer switch or a third-party switch.

Wire fan as shown using the wire connectors (Fig. 9b). Attach green ground wire to mounting bracket with the unpainted screw. Connect wiring harness from power supply to wiring harness from downrod, making sure that the wiring and safety cable are routed in the same direction.

Carefully tuck wiring into outlet box or building structure. Ensure wire connectors are turned upward and that wires are spread apart with grounded conductors on one side of the outlet box/ mounting structure and ungrounded conductors on the other side.

Fig. 9b



Supply Power Wire Color Chart

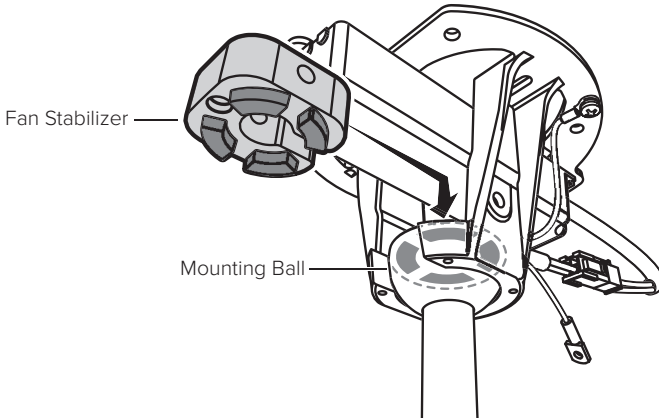
	North America 100–120 V	Australia	All other regions
AC Hot/L1 Brown	Black	Brown or Red	Brown
AC Neutral/L2 Blue	White	Black or Light Blue	Blue
PE/Earth Ground Green with Yellow	Green or Bare Copper	Green with Yellow	Green with Yellow

10. Install fan stabilizer (optional, outdoor fans only)

The fan stabilizer is included only if purchased as an outdoor fan accessory.

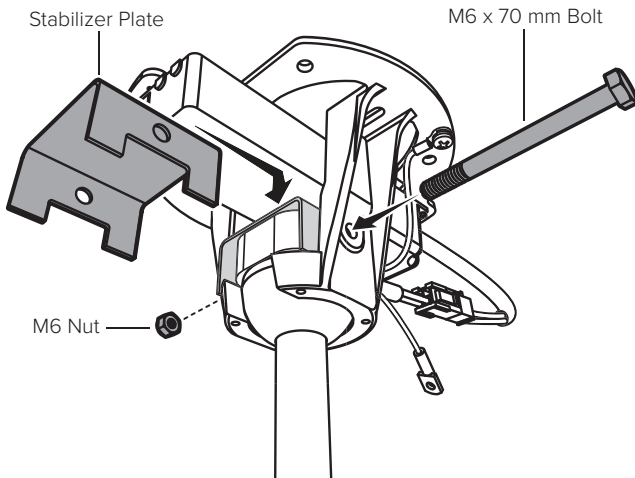
If you purchased the fan stabilizer kit, fit stabilizer into notches on top of mounting ball (Fig. 10.1).

Fig. 10.1



Secure stabilizer plate to stabilizer with the M6 x 70 mm bolt and M6 nut (Fig. 10.2).

Fig. 10.2



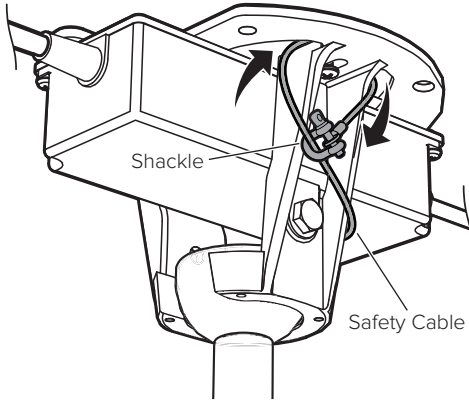
11. Secure safety cable

Some local safety codes require the safety cable to be secured directly to an existing part of the building structure (Canada, Singapore). It may be necessary to install additional structural material to provide attachment points. Check your local safety code if you are unsure. Contact Customer Service for help.

Mounting Bracket

Loop safety cable around mounting bracket, and then secure it with the shackle (Fig. 11.1).

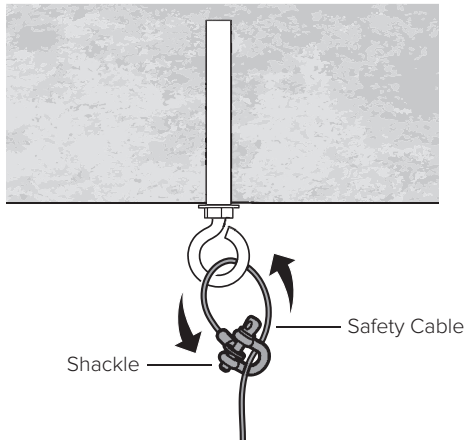
Fig. 11.1



Anchor Hook

Loop safety cable around anchor hook, and then secure it with the shackle (Fig. 11.2).

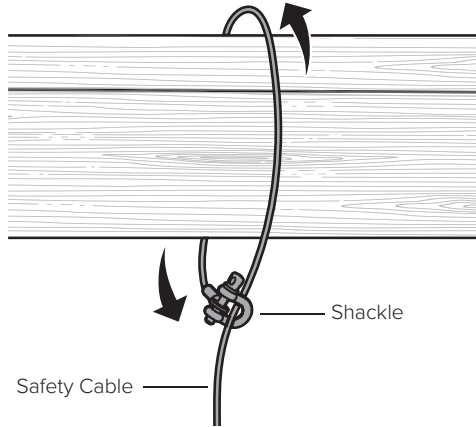
Fig. 11.2



Building Structure

Loop safety cable around building structure, and then secure it with the shackle (Fig. 11.3). Acceptable building structures include a wooden beam or a metal mounting brace secured between two beams. In some cases it may be necessary to install additional structural material to provide attachment points.

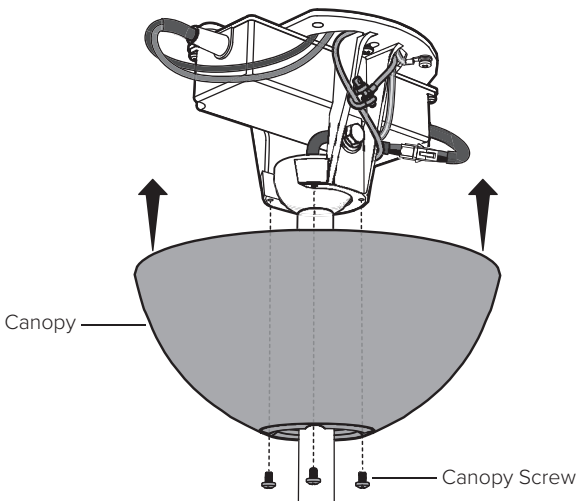
Fig. 11.3



12. Raise canopy

Raise canopy to mounting bracket, aligning the four holes on the canopy with the holes on the bracket. Secure canopy to mounting bracket with the painted screws (Fig. 12). Make sure all wires and the safety cable are tucked in the canopy.

Fig. 12



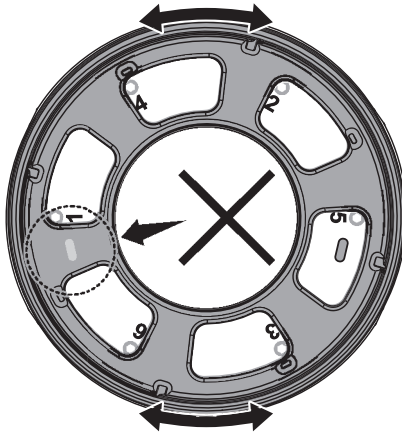
13. Install airfoils



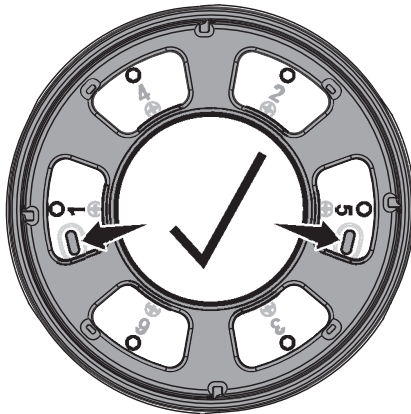
If installing multiple fans, do not mix airfoils from different motor units. Each set of airfoils must be installed on the motor unit the airfoils shipped with.

Before installing the airfoils, make sure the numbers 1 through 6 on the bottom of the fan are centered in the six openings, and make sure the two yellow tabs next to numbers 1 and 5 are visible (Fig. 13.1). You may need to push in the yellow tabs and rotate the fan hub until all six numbers are visible and centered.

Fig. 13.1



Incorrect Hub Alignment

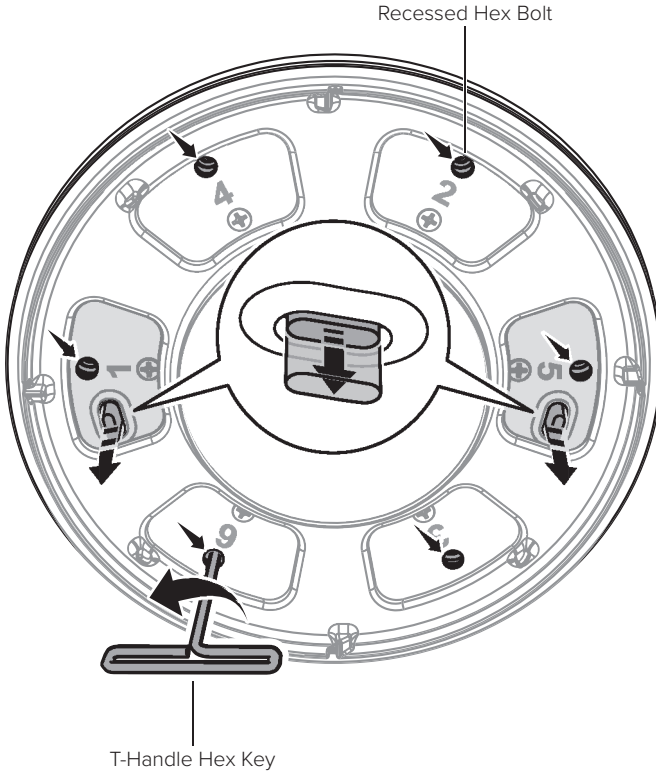


Correct Hub Alignment

Before installing the airfoils, use the T-handle hex key to loosen the six recessed hex bolts above each number. Do **NOT loosen the six Phillips head screws below each number.** Loosen all six recessed hex bolts until both yellow tabs have descended as far as they will go (*Fig. 13.2*). The airfoils cannot be inserted into the motor unit until all six hex bolts are fully loosened and both yellow tabs are all the way down.

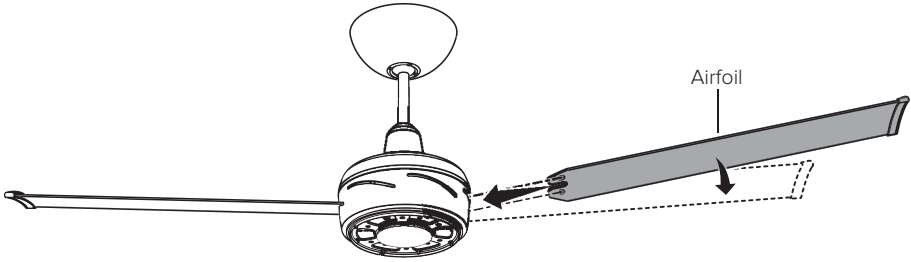
Fig. 13.2

Make sure both yellow tabs are all the way down.



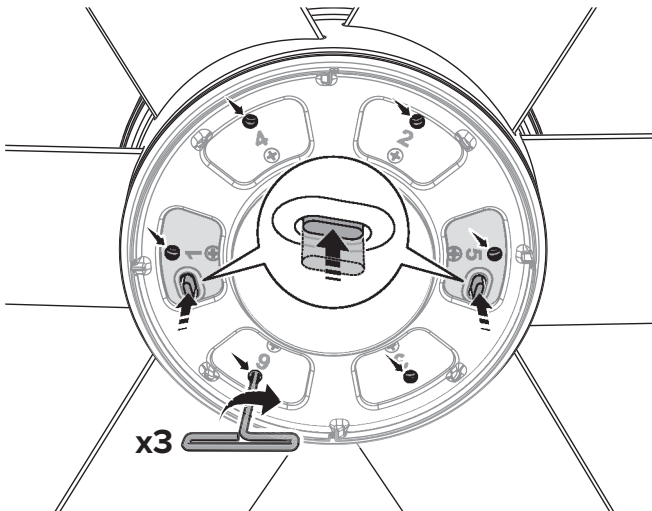
Slide the airfoils into the slots on the sides of the motor unit as shown (Fig. 13.3). Install each airfoil on the opposite side of the fan from the previous airfoil to prevent the fan from tilting. Make sure all airfoils are fully seated in the slots and that the numbered sticker on each airfoil matches the corresponding number on the bottom of the fan. **Do NOT tighten the six recessed hex bolts until all airfoils are inserted.**

Fig. 13.3



Use the provided T-handle hex key to tighten the **six recessed hex bolts above each number on the bottom of the fan according to the numbered sequence. Do NOT tighten or loosen the six Phillips head screws below each number.** Give each hex bolt three full turns with the hex key before moving to the next bolt in the sequence. Continue giving each hex bolt three turns in the numbered sequence until all six bolts are fully tightened and the yellow tabs next to numbers 1 and 5 are flush with the tab openings (Fig. 13.4).

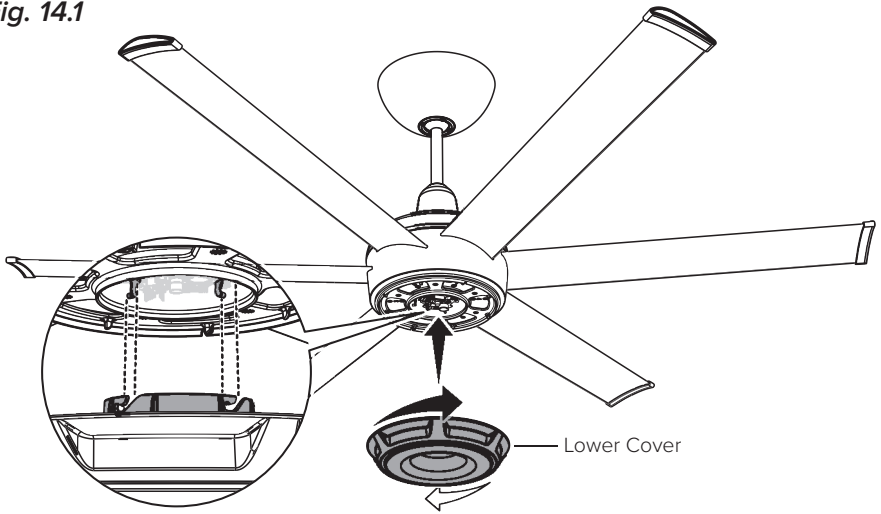
Fig. 13.4



14a. Install lower cover

Align slots on lower cover with tabs on bottom of fan and twist cover clockwise to lock (Fig. 14.1).

Fig. 14.1

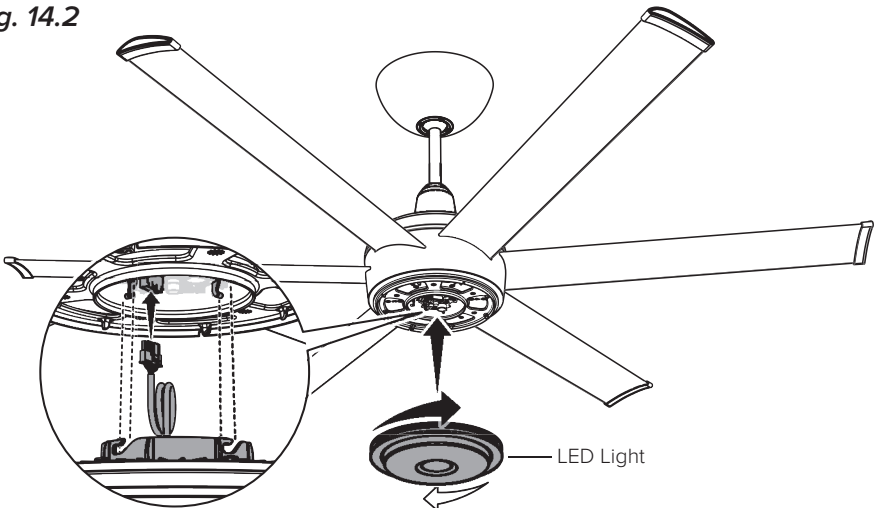


14b. Install LED light (optional)

⚠ CAUTION: To reduce the risk of electric shock, disconnect power to fan before installing LED light.

Plug LED light wiring harness into receptacle on bottom of fan. Align slots on light with tabs on bottom of fan and twist light clockwise to lock (Fig. 14.2).

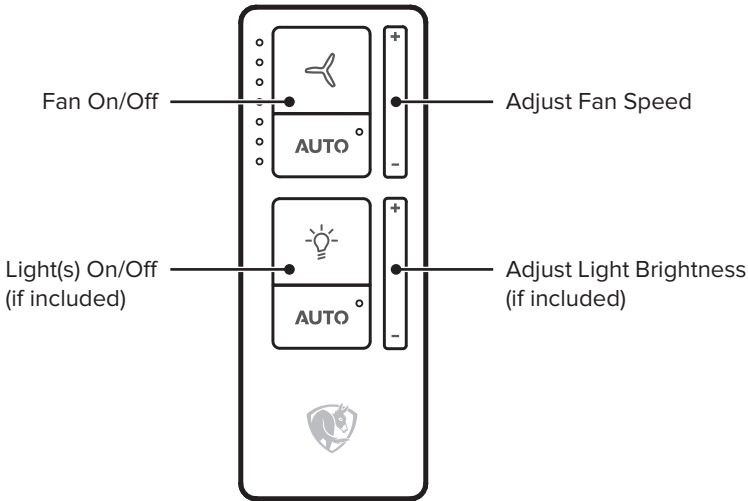
Fig. 14.2



Use only light kits marked "Suitable for Use in Damp Locations."
Use only light kit model 010450. Light Kit Weight: 2.2 lb (998 g)

Congratulations!

Installation is now complete. Turn on power and test your fan using the remote control.



AUTO

Press Auto to enable motion sensing and automatic fan speed adjustment as room conditions change. To adjust your Auto preferences, download the Big Ass Fans mobile app.



Press and hold to change control modes:

- Uplight only
- LED light only
- Both lights simultaneously

To change the LED color (uplight only) or color temperature or to turn on the uplight's UV-C option (if installed), download the Big Ass Fans mobile app.

Note: The UV-C option will only turn on while the fan is spinning.

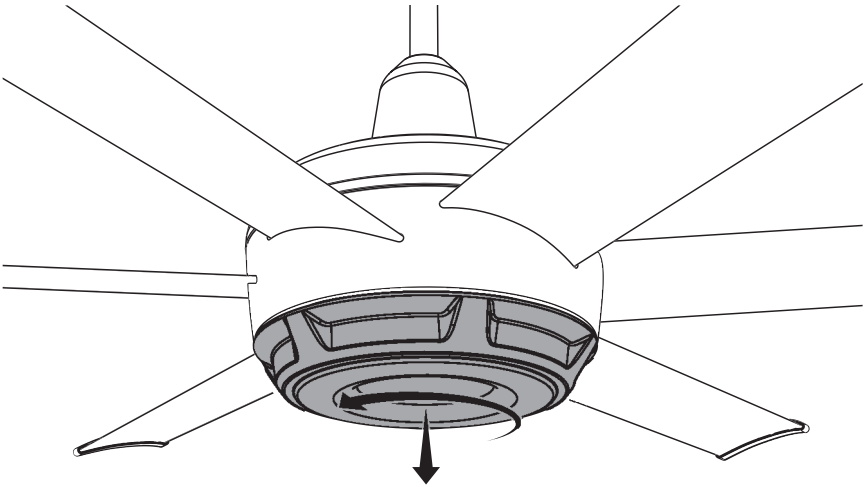


For operation, maintenance, and troubleshooting information, visit bigassfans.com/support

Removing the lower cover or LED light

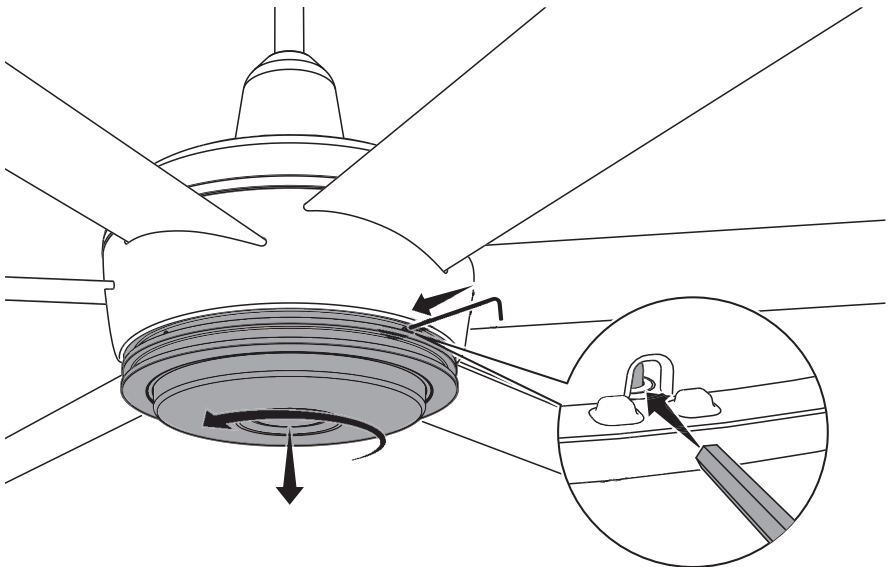
If you need to remove the lower cover, twist cover counterclockwise and slide down (Fig. 15.1).

Fig. 15.1





If you need to remove the LED light, use a long, thin object such as a small allen wrench or pen tip to press tab on light. While pressing tab, twist light counterclockwise and slide down (Fig. 15.2).

Fig. 15.2



MAINTENANCE AND CLEANING

 **WARNING: Risk of fire, electric shock, or injury to persons during cleaning and user maintenance. Disconnect the appliance from the power supply before servicing.**

 **WARNING: Skin or eye damage may result from directly viewing ultraviolet light produced by the lamp in this apparatus. Always disconnect power before relamping or servicing.**

Please take a few moments each year to perform the following preventative maintenance procedures on your fan to ensure its safe and efficient operation.

Checking the safety cable

Check that the safety cable is properly installed by removing the canopy screws, sliding the canopy down the downrod, and examining the safety cable and hardware.

Checking the hardware

Make sure the mounting hardware and the screws securing the airfoils to the fan hub are securely fastened. Tighten the six airfoil screws on the bottom of the fan according to the numbered sequence. When finished, repeat the tightening sequence.

Checking the wiring

Make sure the wire connectors are secure and the ground wires are securely connected.

Cleaning the airfoils

Dust the airfoils regularly. If the fan becomes dirty, clean it with a damp cloth and ordinary soap and water. Do not use solvents, gasoline, or any other chemical cleaners! These may cause surface distortion and damage to the fan.

Cleaning the upright

Clean the LEDs periodically to ensure optimal performance. Use a compressed air duster to remove dust and debris from the LEDs. Do not touch the LEDs while cleaning. Hold the duster can upright when using.

FRANÇAIS



Veillez contacter le service à la clientèle en cas de problème lors de l'installation du ventilateur.

L'installateur devra être présent sur le site d'installation. Notre service à la clientèle est ouvert de 8 h à 18 h (heure normale de l'Est).

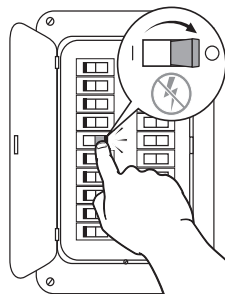
À L'ATTENTION DE L'INSTALLATEUR : Veillez noter le numéro de série du ventilateur.

AVANT DE COMMENCER

☑ Coupez l'alimentation au niveau du disjoncteur

Tension d'entrée : 100–277 VCA, 1 Φ , 50/60 Hz

Ne connectez pas le ventilateur à une source d'alimentation endommagée. Ne tentez pas de résoudre les défaillances électriques par vous-même. Contactez un électricien certifié si vous n'êtes pas à l'aise pour réaliser le travail électrique. Si le code local l'exige, un électricien certifié doit réaliser l'installation du ventilateur.



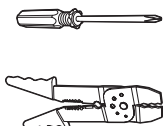
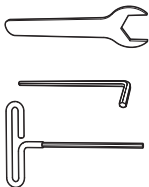
⚠ N'utilisez pas le ventilateur avec un gradateur ou un interrupteur tiers.

⚠ AVERTISSEMENT : l'installation doit être réalisée conformément aux exigences établies par le code national de l'électricité (NEC, États-Unis), ANSI/NFPA 70, et tous les codes nationaux et locaux.

⚠ Le fil de terre doit être connecté à la mise à la terre de l'alimentation et sa longueur doit être supérieure à celle du câble de sécurité.

⚠ Il est nécessaire d'intégrer un moyen de déconnexion dans le câble fixe en conformité avec les règles de câblage.

☑ Réunir les outils



Fourni avec le ventilateur

☑ Préparer l'emplacement du ventilateur

Boîte de sortie : Assurez-vous que la boîte de sortie est adéquate pour le support de ventilateur. S'il n'y a pas de boîte de sortie à l'emplacement du ventilateur, installez-en une sur une solive de plafond ou une poutre.

Plafond en béton : Installez un crochet d'ancrage pour le câble de sécurité si les codes de sécurité et de construction locaux l'exigent. Consultez la page suivante pour connaître les détails d'installation.

Solive de plafond en bois : fixez le support de montage directement à la solive en utilisant deux vis à bois (non fournies). Recommandé : vis à bois à tête hexagonale de 12-11 x 45 mm résistantes à la corrosion avec joint. Si le code local l'exige, montez ou encastrez une boîte de sortie dans la solive. La boîte de sortie doit être adéquate pour le support de ventilateur.

⚠ **La méthode de montage/fixation pour l'installation au plafond, comme des crochets ou d'autres dispositifs, doit être fixée avec une force suffisante pour supporter quatre fois le poids du ventilateur de plafond.**

Modèles et poids maximum :

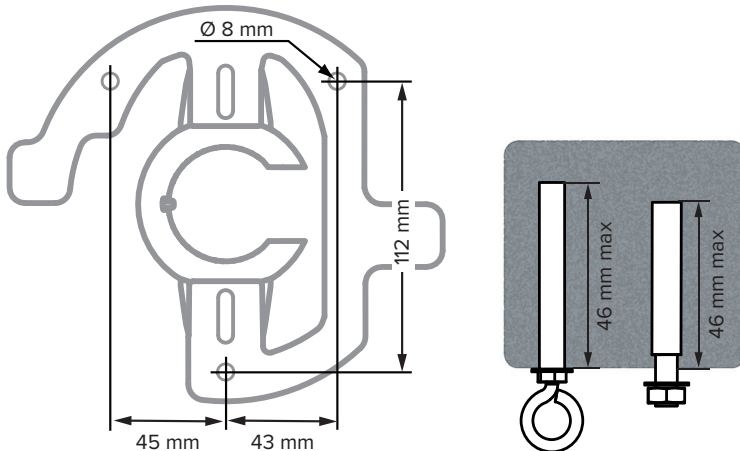
MK-ES62-052306 : 11,3 kg (25 lb), MK-ES62-062306 : 12,1 kg (27 lb),

MK-ES62-072306 : 13,2 kg (29 lb)

☑ Préparez un plafond en béton (le cas échéant)

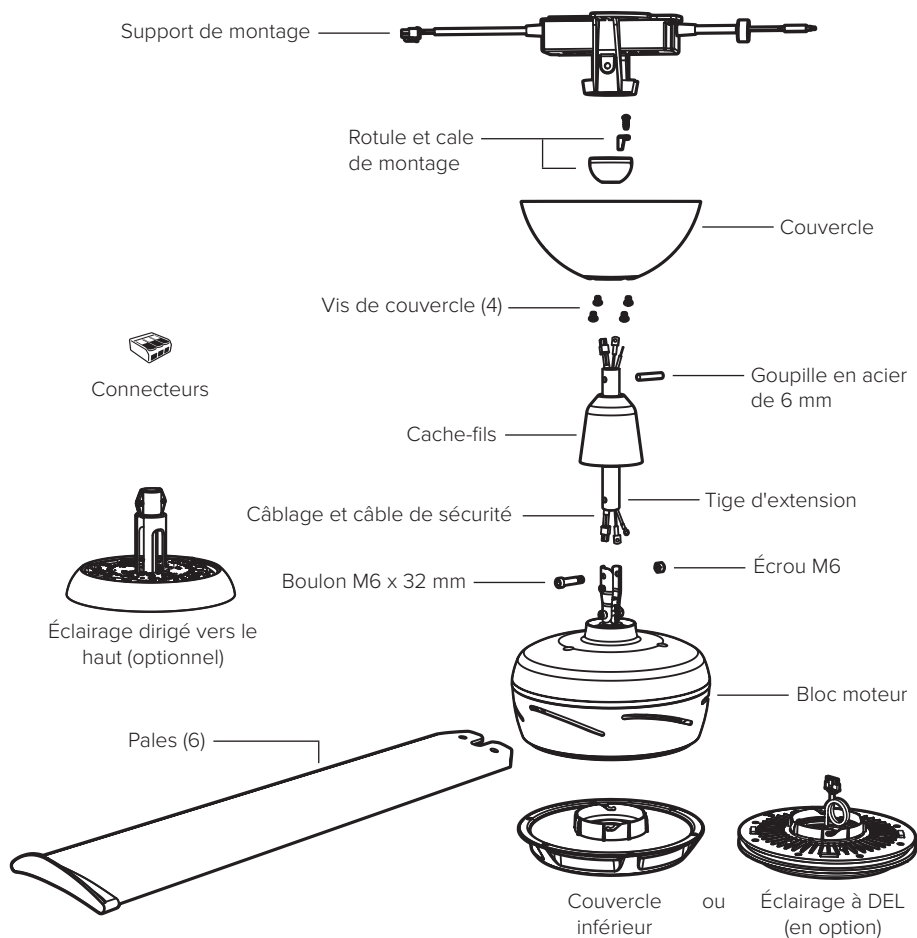
Percez trois trous de 8 mm de diamètre selon la disposition illustrée. La profondeur du trou ne doit pas dépasser 46 mm. Retirez toute la poussière des trous. Insérez trois boulons d'ancrage dans les trous. Frappez la tête des boulons d'ancrage avec un marteau en vous assurant que les fourreaux de boulon sont ajustés avec la surface du plafond. Positionnez le support de montage sur les boulons d'ancrage. Assurez-vous que les trois boulons d'ancrage sont entièrement serrés pour armer et verrouiller les ancrages.

Si les codes de sécurité et de construction locaux l'exigent, installez un crochet d'ancrage pour le câble de sécurité. Percez un trou de 8 mm de diamètre pour le crochet d'ancrage. La profondeur du trou ne doit pas dépasser 46 mm. Retirez toute poussière du trou, puis insérez le crochet d'ancrage et serrez complètement.



PIÈCES ET QUINCAILLERIE

Si votre ventilateur est livré avec un filtre EMI, installez-le. Filtre EMI non applicable aux installations nord-américaines.

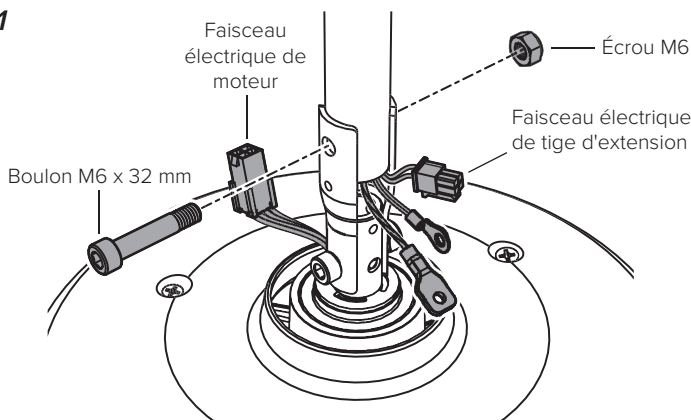


INSTALLATION

1. Installer la tige d'extension

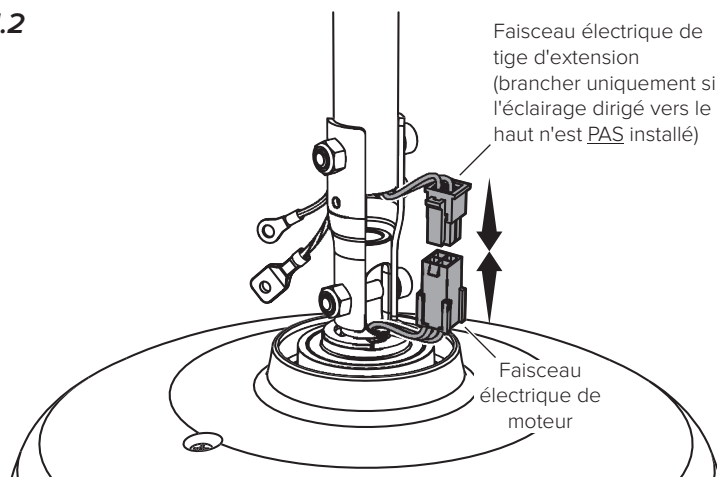
Alignez les trous sur la tige d'extension avec les trous sur le support de moteur. Fixez la tige d'extension avec le boulon M6 x 32 mm et l'écrou M6 (Fig. 1.1). Si vous installez l'éclairage dirigé vers le haut facultatif, assurez-vous que le faisceau électrique de la tige d'extension et le faisceau de câbles de l'unité moteur sont situés sur les côtés opposés de la tige d'extension. Cela facilitera la connexion des harnais à l'éclairage dirigé vers le haut.

Fig. 1.1



Si vous n'installez PAS l'éclairage dirigé vers le haut, branchez le faisceau électrique de la tige d'extension au faisceau électrique du moteur (Fig. 1.2). **Si vous installez l'éclairage dirigé vers le haut**, ne branchez pas le faisceau électrique de tige d'extension.

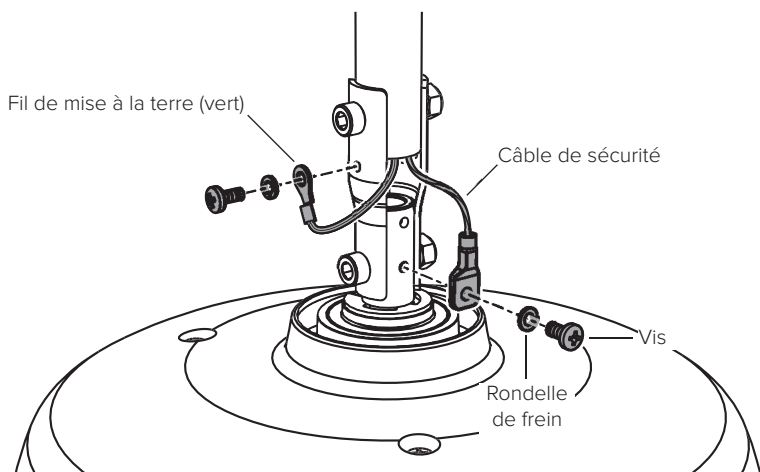
Fig. 1.2



2. Installer le câble de sécurité inférieur et le fil de mise à la terre

Installez le câble de sécurité et les ergots de fil de mise à la terre avec des vis et des rondelles de frein non peintes (*Fig. 2*).

Fig. 2

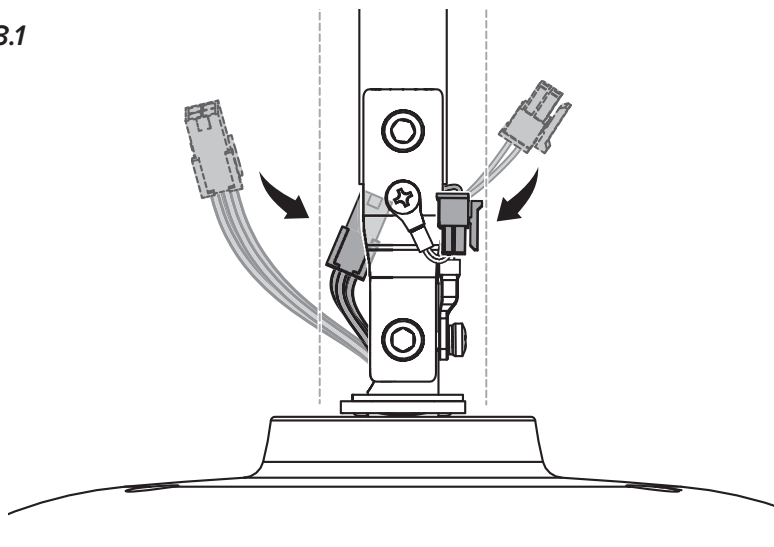


3. Installer l'éclairage dirigé vers le haut (optionnel)

Omettez cette étape si vous n'installez pas l'éclairage dirigé vers le haut.

Assurez-vous que les harnais de câblage sont aussi proches que possible de la tige d'extension afin qu'ils n'interfèrent pas avec l'installation de l'éclairage dirigé vers le haut. (*Fig. 3.1*).

Fig. 3.1

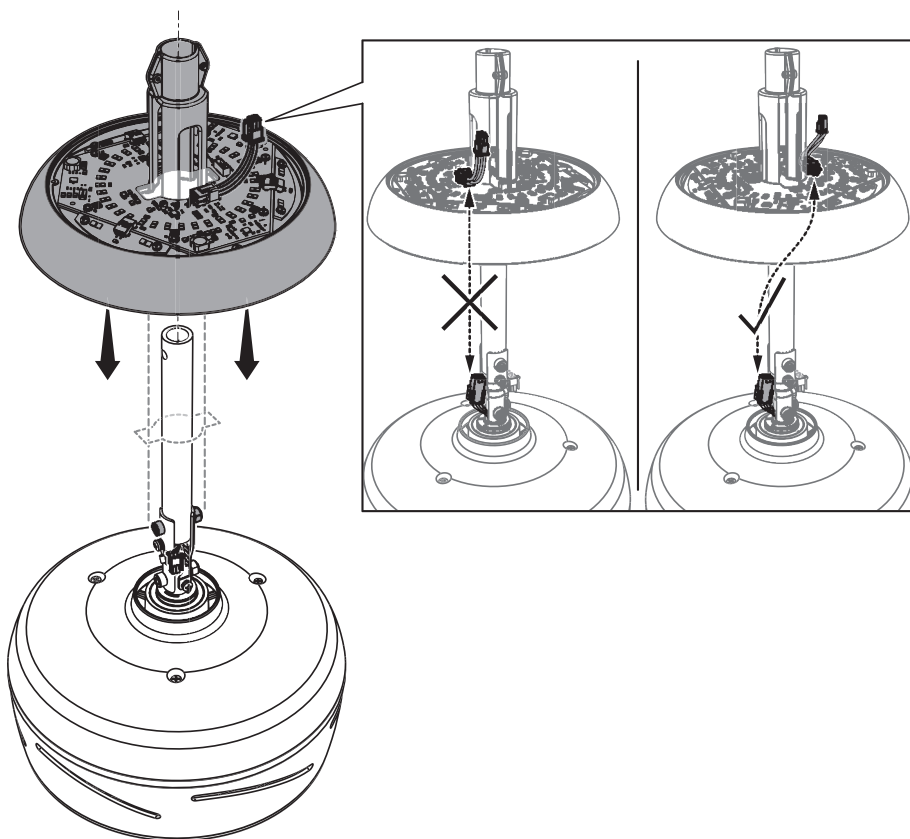


3. Installer l'éclairage dirigé vers le haut (optionnel) (suite)

Omettez cette étape si vous n'installez pas l'éclairage dirigé vers le haut.

Alignez les découpes rectangulaires au centre de l'éclairage dirigé vers le haut avec les boulons sur la tige d'extension. Assurez-vous que le faisceau de câblage de l'éclairage dirigé vers le haut et le faisceau de câbles du bloc moteur sont situés sur les côtés opposés de la tige d'extension. Les harnais seront ainsi plus faciles à connecter. Faites glisser l'éclairage dirigé vers le haut vers le bas de la tige d'extension en le faisant reposer sur le moyeu de ventilateur (Fig. 3.2).

Fig. 3.2



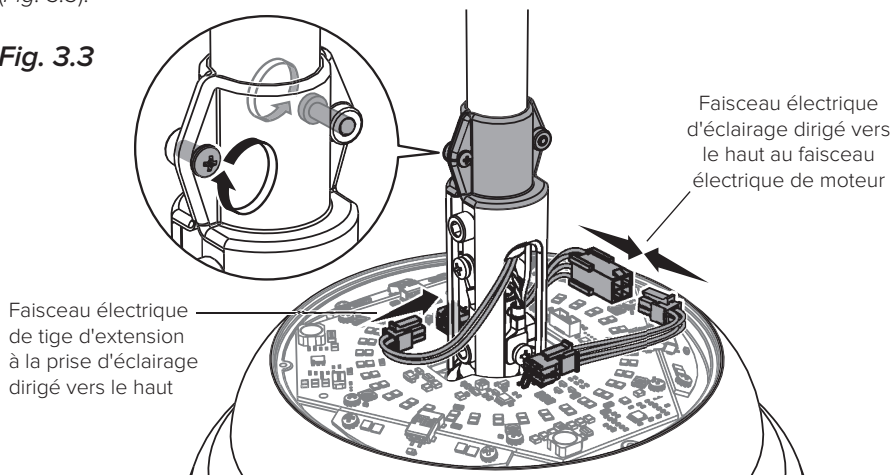
⚠ AVERTISSEMENT : Regarder directement la lumière ultraviolette produite par la lampe de cet appareil peut endommager la peau ou les yeux. Débranchez toujours l'alimentation avant de changer de lampe ou de procéder à un entretien. Remplacez les DEL ultraviolettes par le n° de modèle 1050-45-50 fabriqué par Big Ass Fans.

3. Installer l'éclairage dirigé vers le haut (optionnel) (suite)

Omettez cette étape si vous n'installez pas l'éclairage dirigé vers le haut.

Serrez les deux ensemble de vis sur le haut de l'éclairage dirigé vers le haut. Branchez le faisceau électrique de l'éclairage dirigé vers le haut sur le faisceau électrique du moteur. Branchez le faisceau de câbles à la prise sur l'éclairage dirigé vers le haut (Fig. 3.3).

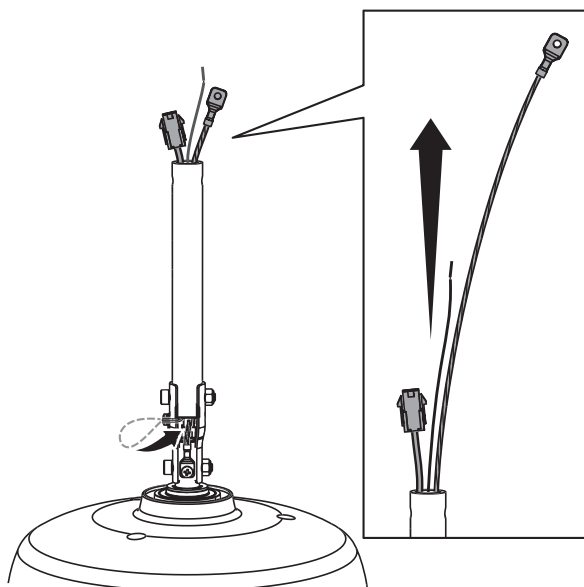
Fig. 3.3



4. Réduire le jeu

Assurez-vous que l'ensemble de la visserie est bien fixé en place, puis insérez délicatement les câbles dans le haut de la tige d'extension pour réduire la longueur excessive (Fig. 4).

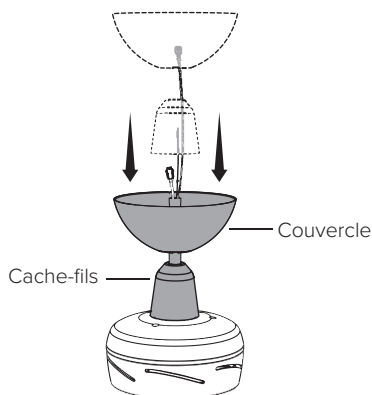
Fig. 4



5. Placer le cache-fils et le couvercle

Faites glisser le cache-fils le long de la tige d'extension et déposez-le sur le moyeu de ventilateur ou l'éclairage dirigé vers le haut. Assurez-vous qu'aucun fil n'est visible entre le cache-fils et le moyeu de ventilateur ou l'éclairage dirigé vers le haut en le déposant sur le cache-fils (Fig. 5).

Fig. 5



6. Installer la rotule d'assemblage

Faites glisser la rotule d'assemblage sur la tige d'extension (Fig. 6.1).

Insérez la goupille en acier de 6 mm dans le trou dans le haut de la tige d'extension, puis faites glisser la rotule d'assemblage vers le haut, ce qui permet de fixer la goupille en acier dans les fentes internes (Fig. 6.2).

Insérez la cale dans la rotule d'assemblage et fixez-la avec la vis. Serrez la vis de façon suffisante pour éviter un mouvement entre la rotule d'assemblage et la tige d'extension, mais ne serrez pas de façon excessive (Fig. 6.3).

Fig. 6.1

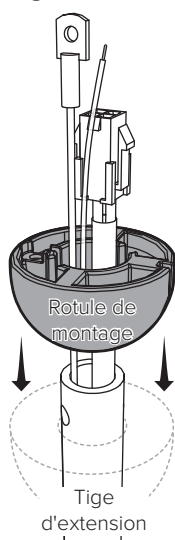


Fig. 6.2

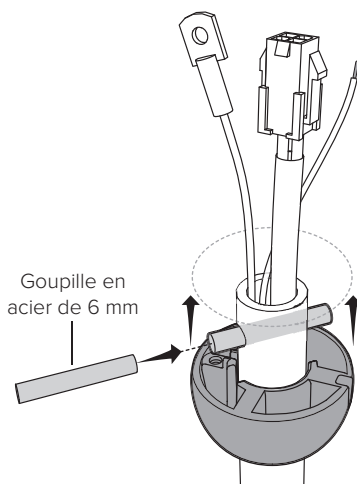
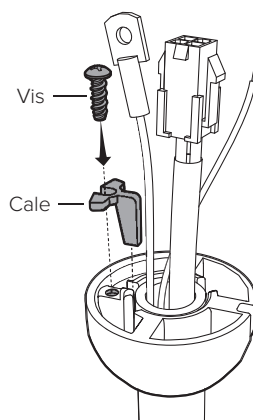


Fig. 6.3

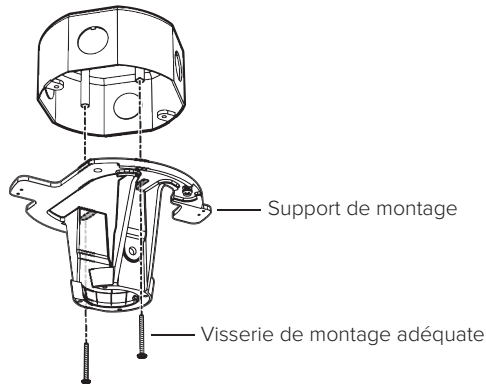


7. Installer le support de montage

- ⚠ **Débranchez l'alimentation au niveau de l'emplacement du ventilateur avant de procéder à l'installation du support de montage.**
- ⚠ **AVERTISSEMENT : réalisez l'assemblage uniquement sur une boîte de sortie marquée comme étant acceptable pour le support de ventilateur.**

Fixez le support de montage sur la structure de montage avec une visserie adéquate (non fournie) (Fig. 7). **Boîte de sortie illustrée. Votre structure de montage pourrait être différente de celle de l'illustration. L'alimentation électrique a été omise de l'illustration du support de montage pour des raisons de clarté.**

Fig. 7

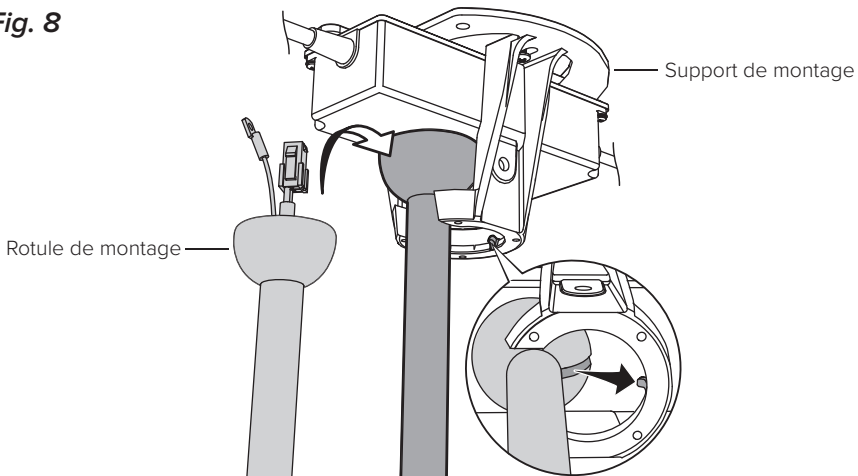


8. Suspending le ventilateur

Soulevez le ventilateur jusqu'au support de montage. Alignez la nervure du support de montage avec la fente dans la rotule d'assemblage, positionnez la rotule et relâchez le ventilateur (Fig. 8).

Tentez de tourner doucement la tige d'extension pour vous assurer qu'elle est solidement en place et qu'elle ne bougera pas lors du fonctionnement du ventilateur.

Fig. 8



9a. Raccorder le ventilateur (sans filtre EMI)

⚠ Débranchez l'alimentation à l'emplacement du ventilateur avant de réaliser le câblage du ventilateur.

⚠ N'utilisez pas le ventilateur avec un gradateur ou un interrupteur tiers.

Raccordez le ventilateur comme illustré en utilisant des connecteurs (Fig. 9a). Fixez le fil de mise à la terre vert au support de montage avec la vis non peinte. Connectez le faisceau électrique du bloc d'alimentation au faisceau électrique de la tige d'extension en vous assurant que le câble de sécurité et le câblage sont acheminés dans le même sens.

Insérez délicatement le câblage dans la boîte de sortie ou la structure du bâtiment. Assurez-vous que les connecteurs sont tournés vers le haut et que les fils sont séparés des conducteurs de terre sur le côté de la boîte de sortie/structure de montage et que les conducteurs non mis à la terre sont de l'autre côté.

Fig. 9a

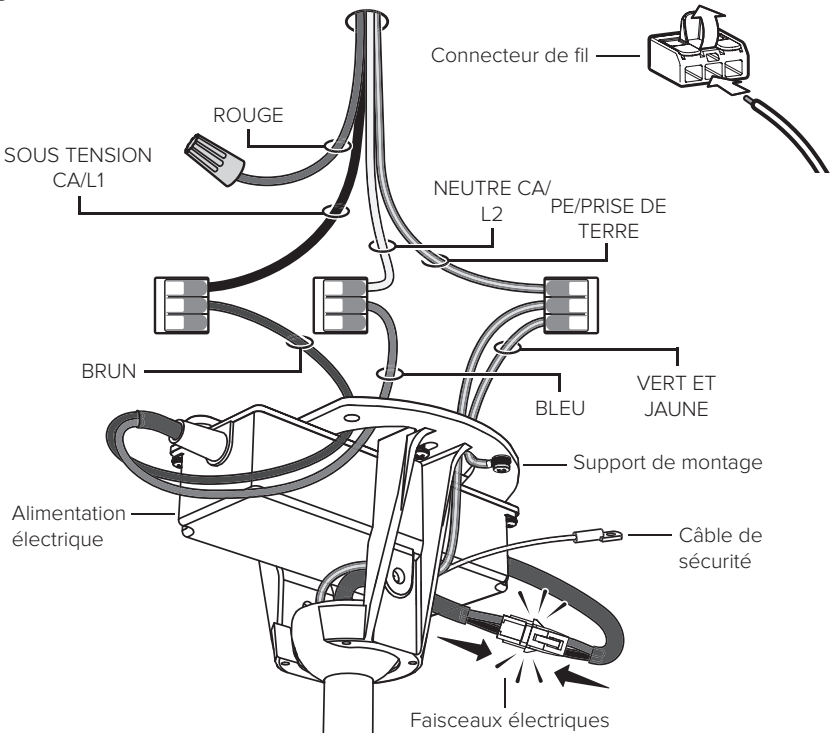


Tableau des couleurs de fil d'alimentation

	Amérique du Nord 100–120 V	Australie	Toutes les autres régions
Sous tension CA/L1 Brun	Noir	Brun ou rouge	Brun
Neutre CA/L2 Bleu	Blanc	Noir ou bleu pâle	Bleu
PE/Prise de terre Vert avec jaune	Vert ou cuivre dénudé	Vert avec jaune	Vert avec jaune

9b. Raccorder le ventilateur (avec filtre EMI)

⚠ Débranchez l'alimentation à l'emplacement du ventilateur avant de réaliser le câblage du ventilateur.

⚠ N'utilisez pas le ventilateur avec un gradateur ou un interrupteur tiers.

Raccordez le ventilateur comme illustré en utilisant des connecteurs (Fig. 9b). Fixez le fil de mise à la terre vert au support de montage avec la vis non peinte. Connectez le faisceau électrique du bloc d'alimentation au faisceau électrique de la tige d'extension en vous assurant que le câble de sécurité et le câblage sont acheminés dans le même sens.

Insérez délicatement le câblage dans la boîte de sortie ou la structure du bâtiment. Assurez-vous que les connecteurs sont tournés vers le haut et que les fils sont séparés des conducteurs de terre sur le côté de la boîte de sortie/structure de montage et que les conducteurs non mis à la terre sont de l'autre côté.

Fig. 9b

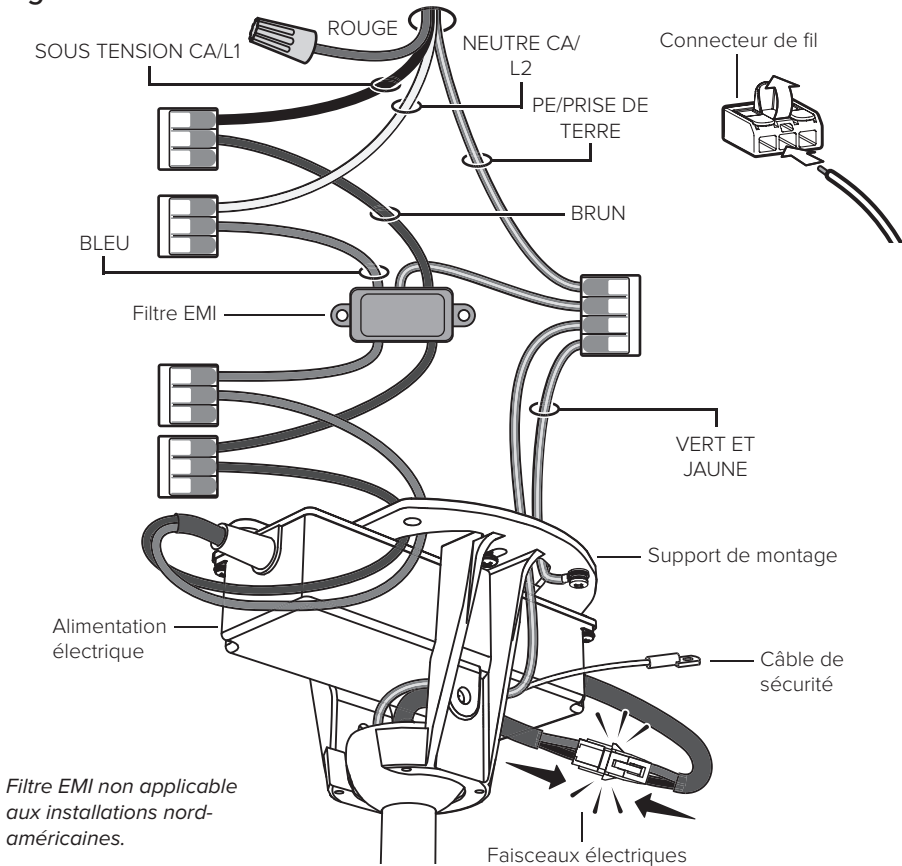


Tableau des couleurs de fil d'alimentation

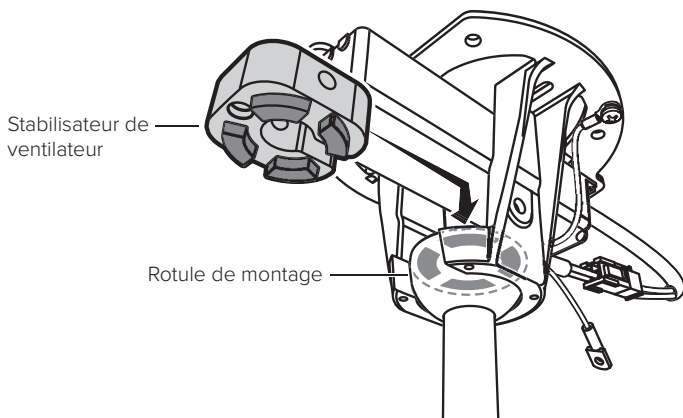
	Amérique du Nord 100–120 V	Australie	Toutes les autres régions
Sous tension CA/L1 Brun	Noir	Brun ou rouge	Brun
Neutre CA/L2 Bleu	Blanc	Noir ou bleu pâle	Bleu
PE/Prise de terre Vert avec jaune	Vert ou cuivre dénudé	Vert avec jaune	Vert avec jaune

10. Poser le stabilisateur de ventilateur (en option, ventilateurs extérieurs uniquement)

Le stabilisateur de ventilateur est compris uniquement s'il a été acheté comme accessoire de ventilateur extérieur.

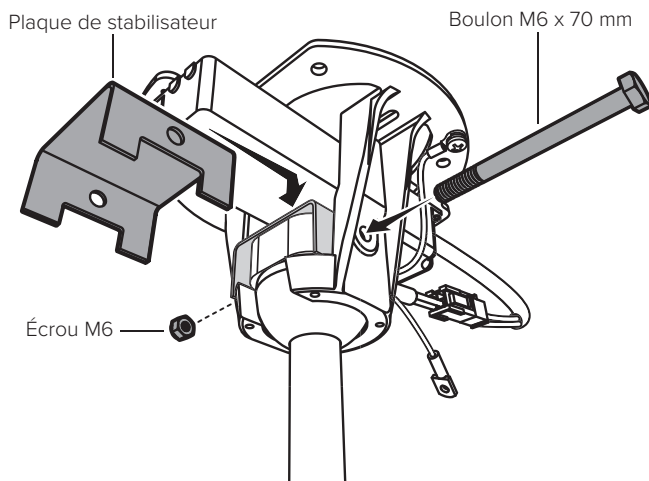
Si vous avez fait l'achat d'un ensemble de stabilisateur de ventilateur, installez le stabilisateur dans les encoches se trouvant sur le haut de la rotule d'assemblage (Fig. 10.1).

Fig. 10.1



Fixez la plaque de stabilisateur sur le stabilisateur à l'aide d'un boulon M6 x 70 mm et d'un écrou M6 (Fig. 10.2).

Fig. 10.2



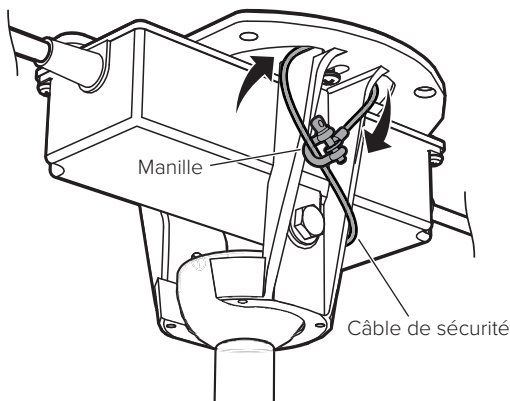
11. Fixer le câble de sécurité

Certains codes de sécurité régionaux exigent que le câble de sécurité soit fixé directement à une pièce existante de la structure du bâtiment (Canada, Singapour). Il pourrait être nécessaire d'installer un matériau de structure supplémentaire pour disposer de points d'attache. Consultez le code de sécurité pertinent si vous êtes incertain. Contactez le service à la clientèle si vous avez besoin d'aide.

Support de montage

Enroulez le câble de sécurité autour du support de montage, puis fixez-le avec la manille (Fig. 11.1).

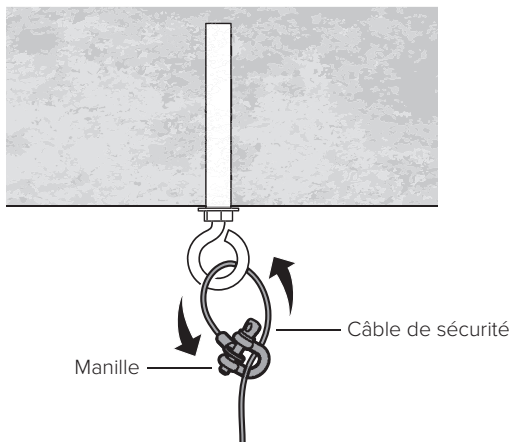
Fig. 11.1



Crochet d'ancrage

Enroulez le câble de sécurité autour du crochet d'ancrage, puis fixez-le avec la manille (Fig. 11.2).

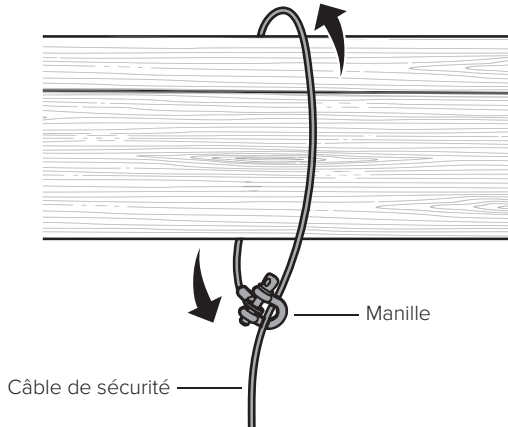
Fig. 11.2



Structure de bâtiment

Enroulez le câble de sécurité autour de la structure de bâtiment, puis fixez-le avec la manille (Fig. 11.3). Les structures de bâtiment acceptables comprennent une poutre en bois, ou un renfort de montage métallique fixé entre deux poutres. Dans certains cas, il pourrait être nécessaire d'installer des matériaux structuraux supplémentaires pour disposer de points d'attache.

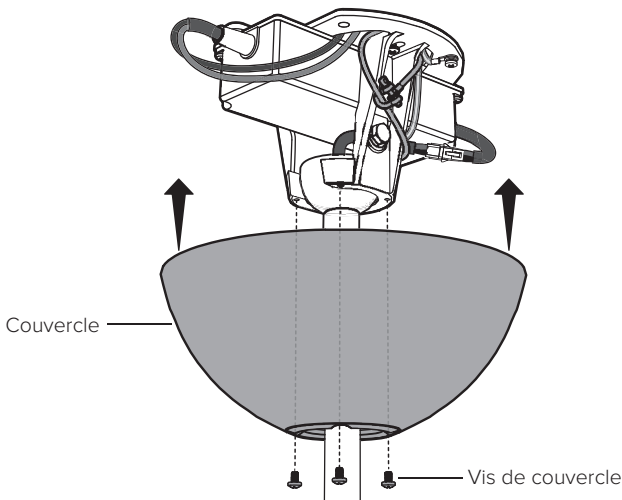
Fig. 11.3



12. Soulever le couvercle

Soulevez le couvercle jusqu'au support de montage en alignant les quatre trous sur le couvercle avec les trous sur le support. Fixez le couvercle au support de montage à l'aide des vis peintes (Fig. 12). Assurez-vous que tous les fils et le câble de sécurité sont insérés dans le couvercle.

Fig. 12



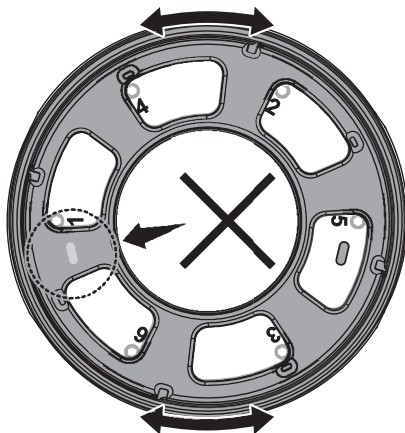
13. Montage des pales



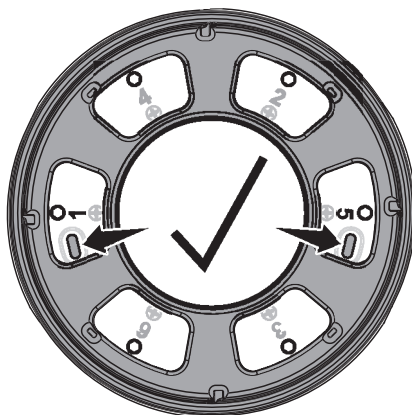
Si vous installez plusieurs ventilateurs, veillez à ne pas mélanger les pales des différents blocs-moteurs. Chaque jeu de pales doit être monté sur le bloc-moteur avec lequel il a été livré.

Avant de monter les pales, assurez-vous que les numéros 1 à 6 inscrits sur le dessous du ventilateur sont centrés dans les six ouvertures correspondantes, et que les deux languettes jaunes situées à côté des numéros 1 et 5 sont visibles (*figure 13.1*). Si nécessaire, appuyez sur les languettes jaunes et faites tourner le moyeu du ventilateur afin que les six numéros soient bien visibles et centrés.

Figure 13.1



Moyeu mal aligné

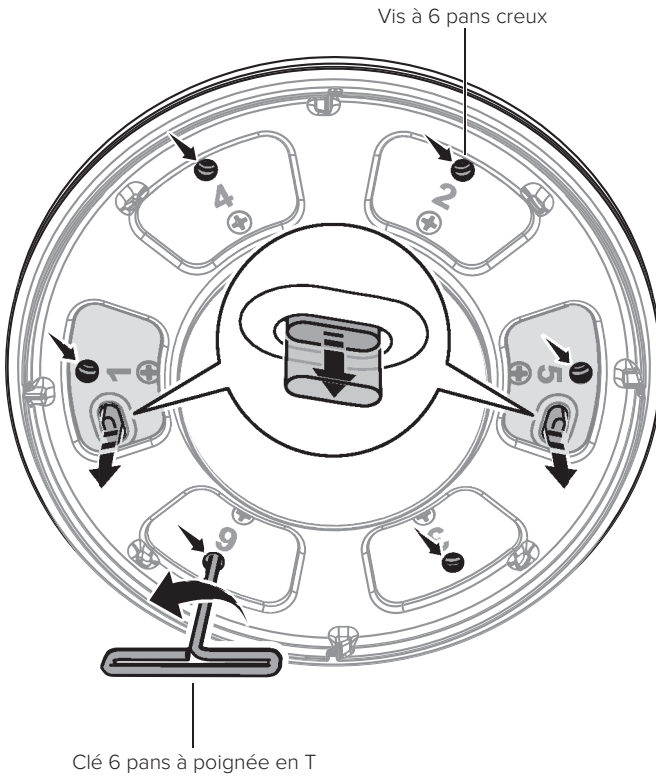


Moyeu correctement aligné

Avant de monter les pales, munissez-vous de la clé 6 pans à poignée en T fournie pour desserrer les **six vis à 6 pans creux situées au-dessus de chaque numéro. NE PAS desserrer les six vis cruciformes situées en dessous des numéros.** Desserrez les six vis à 6 pans creux de façon à faire descendre au maximum les deux languettes jaunes (*figure 13.2*). Il est impossible d'insérer les pales dans le bloc-moteur tant que les six vis à 6 pans creux ne sont pas desserrées à fond et que les deux languettes jaunes ne sont pas abaissées au maximum.

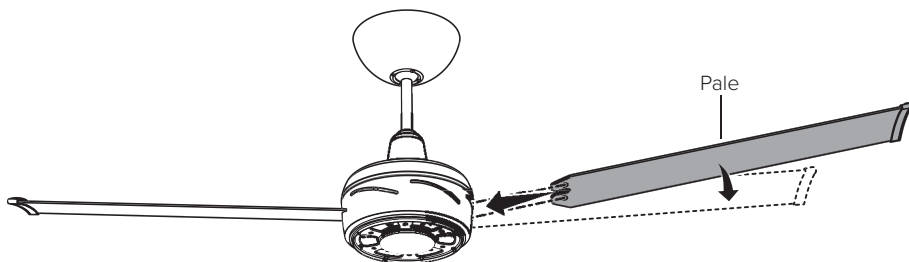
Figure 13.2

Assurez-vous que les deux languettes jaunes sont abaissées au maximum.



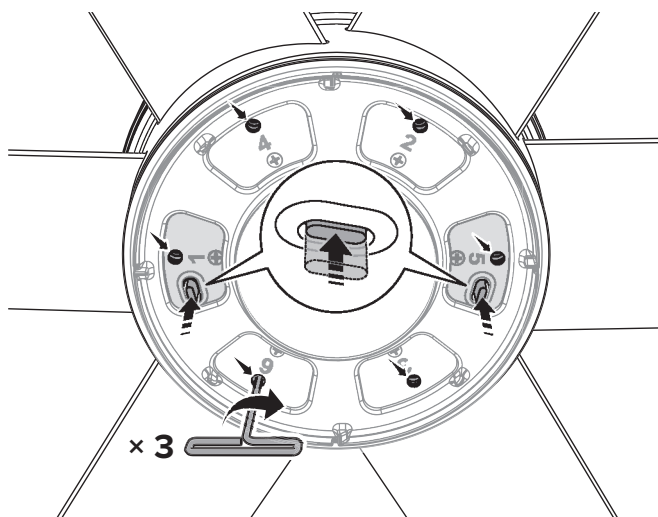
Faites glisser les pales dans les fentes latérales du bloc-moteur (voir *figure 13.3*). Afin d'éviter de déséquilibrer le ventilateur, insérez chaque pale à l'opposé de la pale précédente. Vérifiez que toutes les pales sont insérées à fond dans les fentes. Vérifiez également que les numéros figurant sur les étiquettes des pales correspondent à ceux inscrits sur le dessous du ventilateur. **NE PAS serrer les six vis à 6 pans creux tant que toutes les pales ne sont pas en place.**

Figure 13.3



À l'aide de la clé 6 pans à poignée en T fournie, serrez les **six vis à 6 pans creux situées au-dessus de chaque numéro, sur le dessous du ventilateur, dans l'ordre croissant des numéros. NE PAS serrer ou desserrer les six vis cruciformes situées en dessous des numéros.** Effectuez trois tours complets sur chaque vis à 6 pans avant de passer à la suivante. Continuez de serrer les vis à 6 pans de trois tours complets dans l'ordre croissant des numéros jusqu'à ce qu'elles soient toutes serrées à fond et que les languettes jaunes situées à côté des numéros 1 à 5 ne dépassent plus des ouvertures (*figure 13.4*).

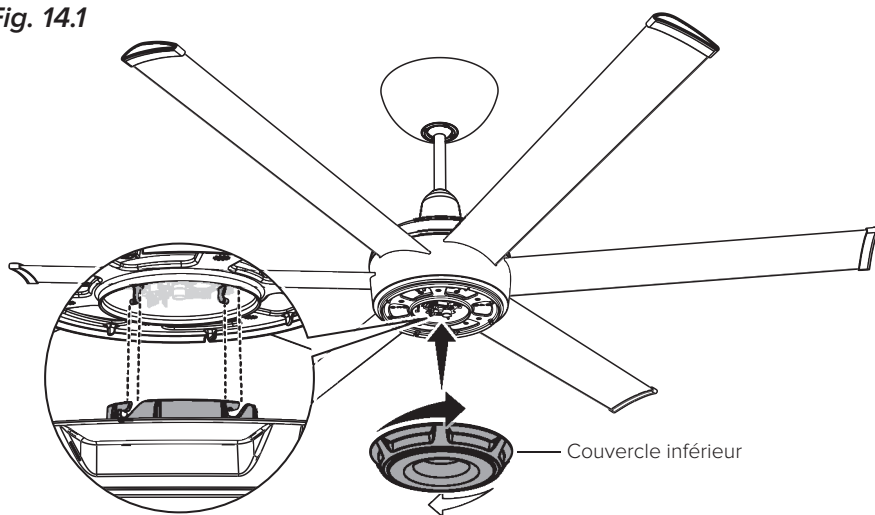
Figure 13.4



14a. Installer le couvercle inférieur

Alignez les fentes sur le couvercle inférieur avec les languettes se trouvant sur la base du ventilateur et tournez le couvercle dans le sens horaire pour le verrouiller (Fig. 14.1).

Fig. 14.1

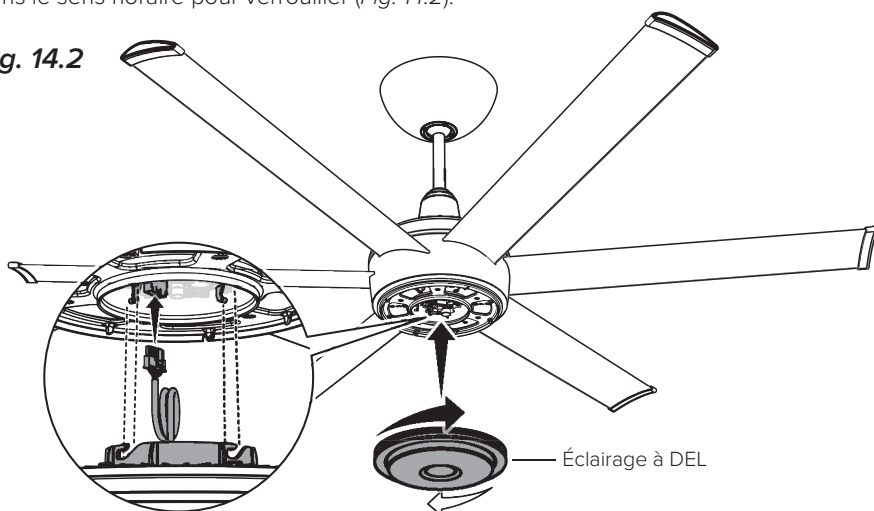


14b. Poser l'éclairage à DEL (en option)

⚠ MISE EN GARDE : pour réduire le risque de décharge électrique, débranchez l'alimentation au ventilateur avant d'installer l'éclairage à DEL.

Branchez le faisceau électrique d'éclairage à DEL dans la prise se trouvant sur la base du ventilateur. Alignez les fentes sur les languettes sur la base du ventilateur et tournez dans le sens horaire pour verrouiller (Fig. 14.2).

Fig. 14.2

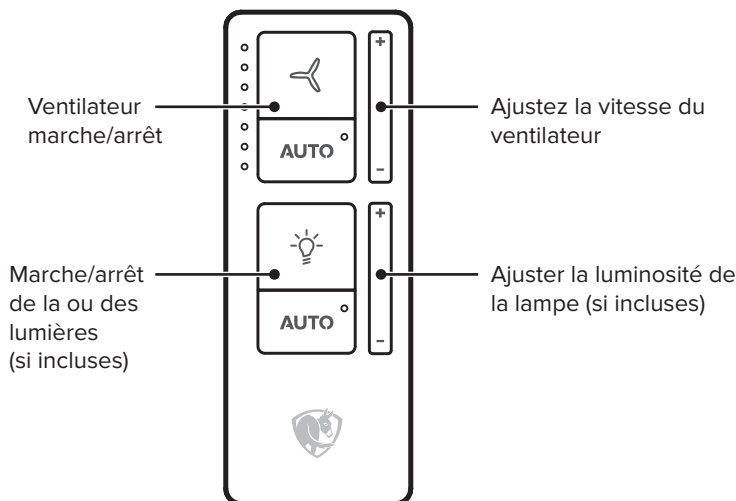


Utilisez uniquement des kits d'éclairage portant la mention « Convient pour une utilisation dans des endroits humides ».

Utilisez uniquement le modèle d'ensemble d'éclairage 010450. Poids de l'ensemble d'éclairage : 998 g (2,2 lb)

Félicitations!

L'installation est maintenant terminée. Mettez sous tension et testez votre ventilateur à l'aide de la télécommande.



AUTO

Appuyez sur « Auto » pour activer la détection de mouvement et l'ajustement automatique de la vitesse du ventilateur lorsque les conditions de la pièce changent. Pour régler vos préférences pour le mode Auto, téléchargez l'application mobile Big Ass Fans.



Maintenez la touche enfoncée pour changer les modes de contrôle :

- Éclairage dirigé vers le haut uniquement
- Lumière à DEL uniquement
- Les deux lumières simultanément

Pour modifier la couleur de la DEL (éclairage dirigé vers le haut uniquement) ou la température de couleur ou pour activer l'option UV-C de l'éclairage dirigé vers le haut (s'il est installé), téléchargez l'application mobile Big Ass Fans. *Note : l'option UV-C s'allume uniquement lorsque le ventilateur tourne.*

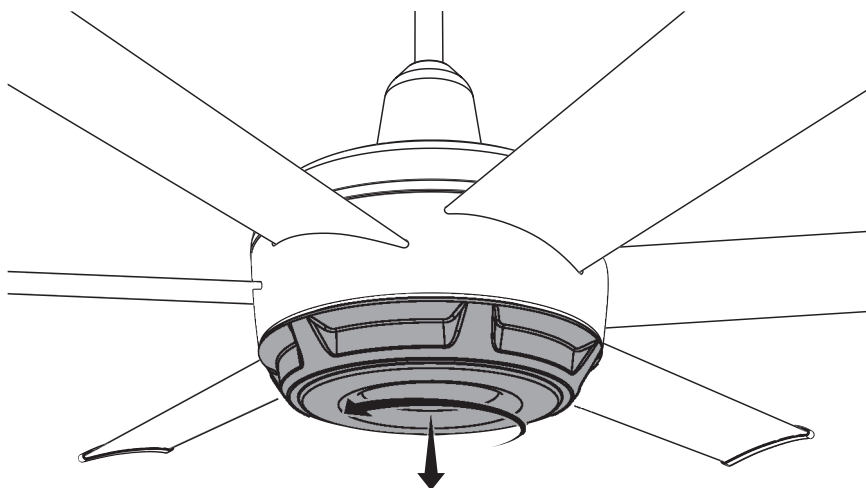


Pour obtenir des renseignements sur le fonctionnement, l'entretien et le dépannage, visitez bigassfans.com/support

Dépose du couvercle inférieur ou d'éclairage à DEL

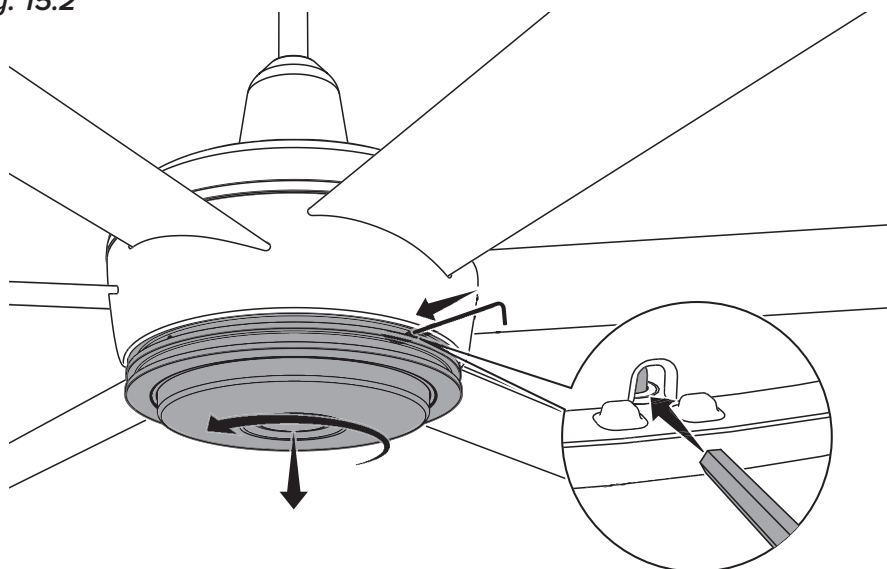
Si vous avez besoin de retirer le couvercle inférieur, tournez le couvercle dans le sens antihoraire et faites-le glisser vers le bas (Fig. 15.1).

Fig. 15.1



Si vous devez retirer l'éclairage à DEL, utilisez un objet long et effilé, comme une petite clé hexagonale ou la pointe d'un crayon pour appuyer sur la languette sur l'éclairage. Pendant que vous appuyez sur la languette, tournez l'éclairage dans le sens antihoraire et faites-la glisser vers le bas (Fig. 15.2).

Fig. 15.2



ENTRETIEN ET NETTOYAGE

⚠ AVERTISSEMENT : risque d'incendie, de décharge électrique ou de blessures aux personnes pendant le nettoyage et l'entretien. Débranchez l'appareil de l'alimentation avant de procéder à un entretien.

⚠ AVERTISSEMENT : regarder directement la lumière ultraviolette produite par la lampe de cet appareil peut endommager la peau ou les yeux. Débranchez toujours l'alimentation avant de changer de lampe ou de procéder à un entretien.

Veillez prendre quelques instants chaque année pour effectuer les procédures d'entretien préventif suivantes sur votre ventilateur afin de vous assurer qu'il fonctionne de façon sûre et efficace.

Vérification du câble de sécurité

Assurez-vous que le câble de sécurité est correctement installé en retirant les vis du couvercle, en faisant glisser ce dernier vers le bas de la tige d'extension et en examinant le câble de sécurité ainsi que la visserie.

Vérification de la visserie

Assurez-vous que la visserie de montage et les vis fixant les pales au moyeu de ventilateur sont solidement en place. Serrez les six vis de pale se trouvant à la base du ventilateur conformément à la séquence numérotée. Lorsque vous avez terminé, répétez la séquence de serrage.

Vérification du câblage

Assurez-vous que les connecteurs de fil sont solidement fixés et que les fils de mise à la terre sont bien connectés.

Nettoyage des pales

Époussetez régulièrement les pales. Si le ventilateur devient sale, nettoyez-le avec un chiffon humide et du savon et de l'eau ordinaires. N'utilisez pas de solvant, d'essence ou de nettoyant chimique! La surface pourrait être déformée et le ventilateur pourrait être endommagé.

Nettoyage de l'éclairage dirigé vers le haut

Nettoyez les DEL régulièrement pour en assurer un fonctionnement optimal. Utilisez une bouteille d'air comprimé pour enlever la poussière et les débris des DEL. Ne touchez pas les DEL lors du nettoyage. Tenez la bouteille d'air comprimé en position verticale lorsque vous l'utilisez.

ESPAÑOL



Para obtener ayuda para resolver cualquier problema que pudiera surgir durante la instalación del ventilador, comuníquese con el Servicio de atención al cliente mientras el instalador esté presente en el sitio de instalación. Nuestro servicio de atención al cliente atiende de 8:00 AM a 6:00 PM EST.

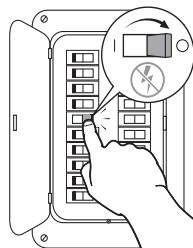
INSTALADOR: anote el número de serie del ventilador:

ANTES DE COMENZAR

☑ Desconecte el suministro eléctrico desde el disyuntor

Voltaje de entrada: 100–277 VCA, 1 Φ , 50/60 Hz

No conecte el ventilador a una fuente de alimentación dañada. No intente reparar fallas eléctricas por su cuenta. Si no se siente seguro realizando trabajos eléctricos, recurra a un electricista calificado. Si el código local lo exige, el ventilador debe ser instalado por un electricista certificado.



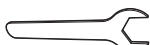
⚠ **No utilice el ventilador con un interruptor de atenuación o un interruptor de terceros.**

⚠ **ADVERTENCIA:** la instalación debe realizarse de acuerdo con los requisitos establecidos por el Código Eléctrico Nacional (NEC, por sus siglas en inglés) de EE. UU., la norma ANSI/NFPA 70 y todos los códigos nacionales y locales.

⚠ **El cable de tierra debe conectarse al cable de tierra de suministro y no debe superar el largo del cable de seguridad.**

⚠ **Debe incorporarse un medio de desconexión en el cableado fijo de acuerdo con las reglas de cableado.**

☑ Reúna las herramientas



Proporcionado con
el ventilador

☑ **Prepare el lugar de instalación del ventilador**

Caja de distribución: verifique que su caja de distribución sea apta para soportar el ventilador. Si en el lugar donde se va a instalar el ventilador no hay una caja de distribución, instale una en una viga o vigueta de techo.

Techo de concreto: si el código de construcción y seguridad local lo exige, instale un gancho de anclaje para el cable de seguridad. Vea la siguiente página para consultar los detalles sobre la instalación.

Viga de techo de madera: asegure el soporte de montaje directamente a la viga usando dos tornillos para madera (no proporcionados). Se recomienda usar tornillos de cabeza hexagonal para madera de 12-11 x 45 mm, con sello y resistentes a la corrosión. Si lo requiere el código local, monte o incruste una caja de distribución en la viga. Dicha caja debe ser adecuada para soportar el ventilador.

⚠ **Los medios de montaje y fijación para sujeción al techo, como ganchos y otros dispositivos, deberán fijarse con suficiente fuerza para soportar cuatro veces el peso del ventilador de techo.**

Modelos y peso máximo:

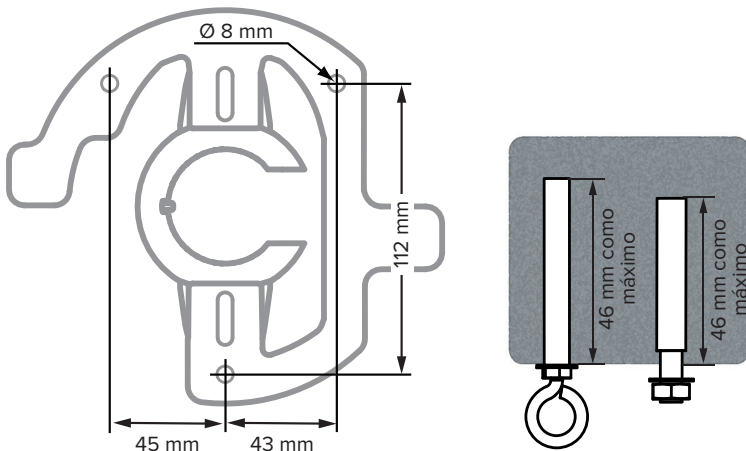
MK-ES62-052306: 25 lb (11.3 kg), MK-ES62-062306: 27 lb (12.1 kg),

MK-ES62-072306: 29 lb (13.2 kg)

☑ **Preparación del techo de concreto (si corresponde)**

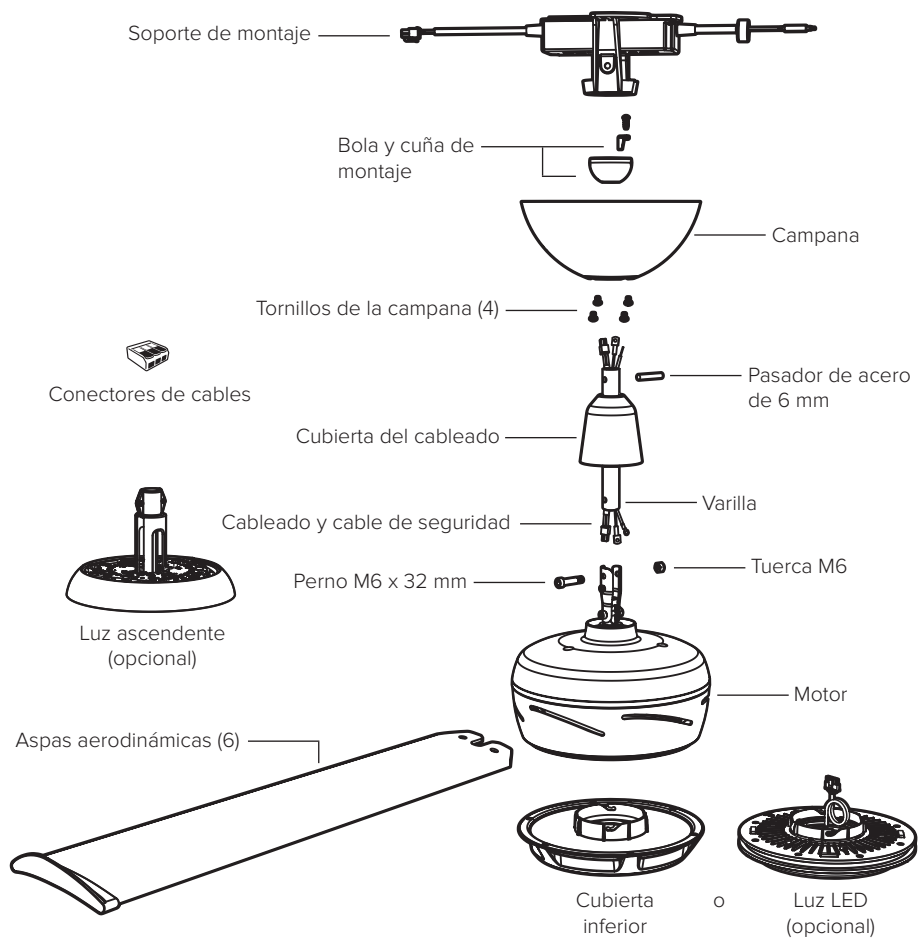
Perfore tres orificios de \varnothing 8 mm tal como se indica en el patrón mostrado. La profundidad de los orificios no debe exceder de 46 mm. Elimine el polvo de los orificios. Inserte tres pernos de anclaje en los orificios. Golpee las cabezas de los pernos con un martillo, asegurándose de que las camisas de los mismos queden al ras de la superficie del techo. Coloque el soporte de montaje en los pernos de anclaje. Verifique que los tres pernos de anclaje estén bien apretados para poder expandir y asegurar los anclajes.

Si los códigos de construcción y seguridad locales lo exigen, instale un gancho de anclaje para el cable de seguridad. Perfore un orificio de \varnothing 8 mm para el gancho de anclaje. La profundidad del orificio no debe exceder de 46 mm. Elimine el polvo del orificio, inserte el gancho de anclaje y luego apriete firmemente.



PARTES Y EQUIPO

Si se incluye el filtro de interferencia electromagnética (filtro EMI), instálelo junto con el ventilador.
Filtro EMI no aplicable a instalaciones norteamericanas.

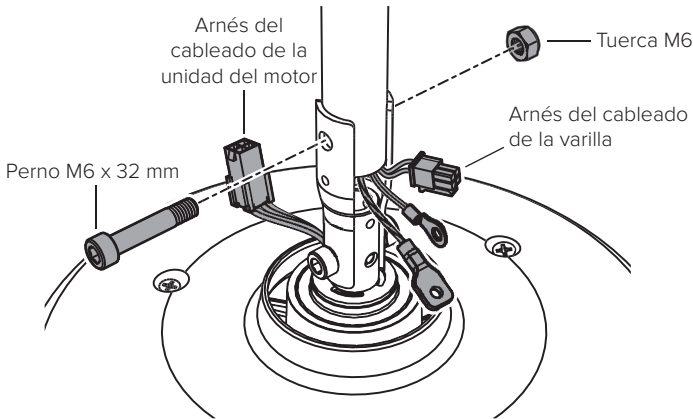


INSTALACIÓN

1. Instalación de la varilla

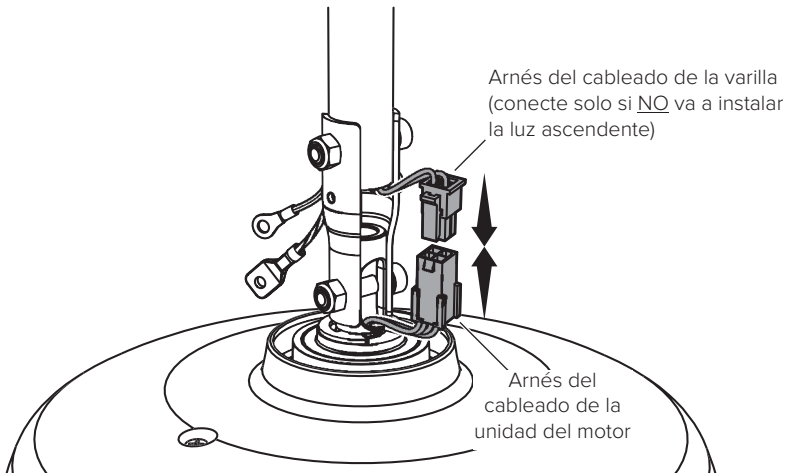
Alinee los orificios de la varilla con los orificios del soporte del motor. Asegure la varilla con el perno M6 x 32 mm y la tuerca M6 (Fig. 1.1). Si va a instalar la luz ascendente opcional, asegúrese de que el arnés de cableado de la varilla descendente y el arnés de cableado de la unidad de motor estén a los lados opuestos de la varilla. Esto hará que los arneses sean más fáciles de conectar a la luz ascendente.

Fig. 1.1



Si **NO** está instalando la luz ascendente, conecte el arnés del cableado de la varilla al arnés del cableado de la unidad del motor (Fig. 1.2). Si está instalando la luz ascendente, no conecte el arnés de cableado de la varilla.

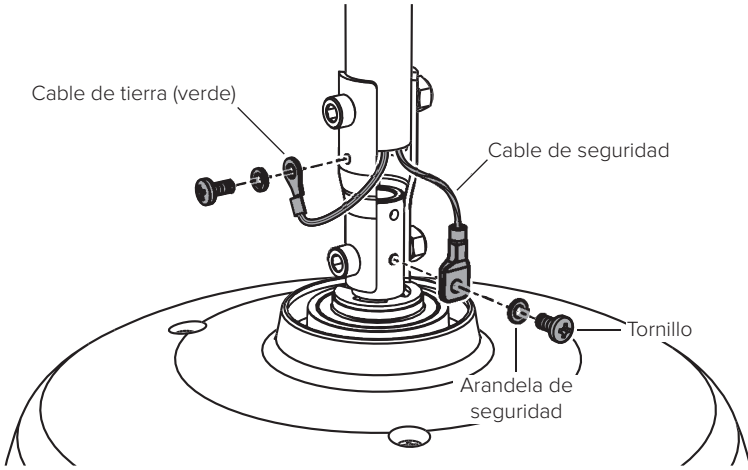
Fig. 1.2



2. Instalación del cable de seguridad inferior y el cable de tierra

Instale las terminales del cable de seguridad y del cable de tierra con los tornillos sin pintar y las arandelas de seguridad (Fig. 2).

Fig. 2

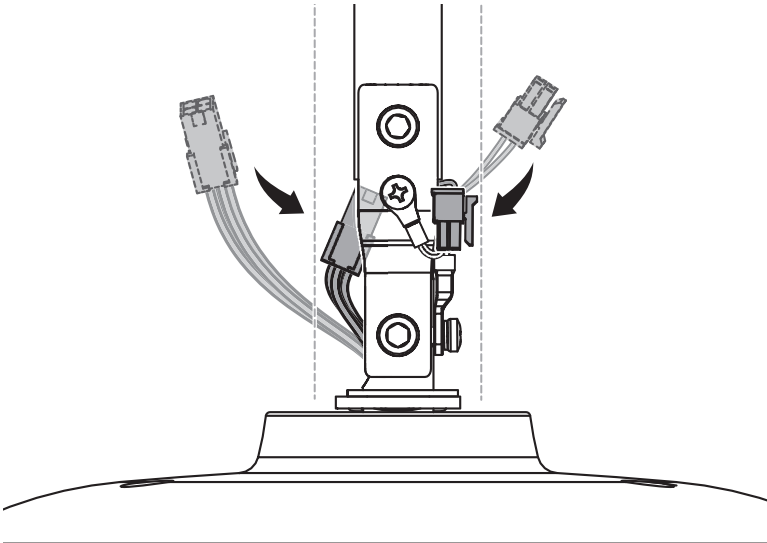


3. Instale la luz ascendente (opcional)

No realice este paso si no está instalando la luz ascendente.

Asegúrese de que los arneses del cableado estén lo más cerca posible de la varilla para que no interfieran con la instalación de la iluminación ascendente. (Fig. 3.1).

Fig. 3.1

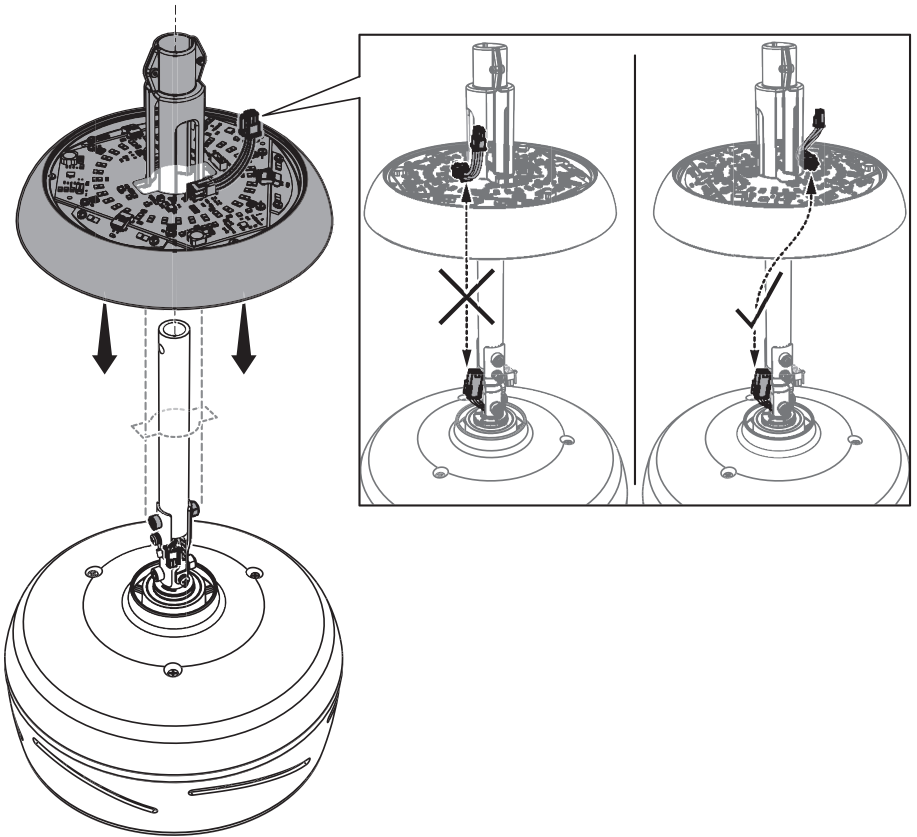


3. Instale la luz ascendente (opcional) (cont.)

No realice este paso si no está instalando la luz ascendente.

Alinee los cortes rectangulares que se localizan en el centro de la luz ascendente con los pernos en la varilla. Asegúrese de que el arnés de cableado de la luz ascendente y el arnés de cableado de la unidad del motor estén a los lados opuestos de la varilla. Esto facilitará la conexión de los arneses. Deslice la luz ascendente hacia la varilla, apoyándola en el cubo del ventilador (Fig. 3.2).

Fig. 3.2



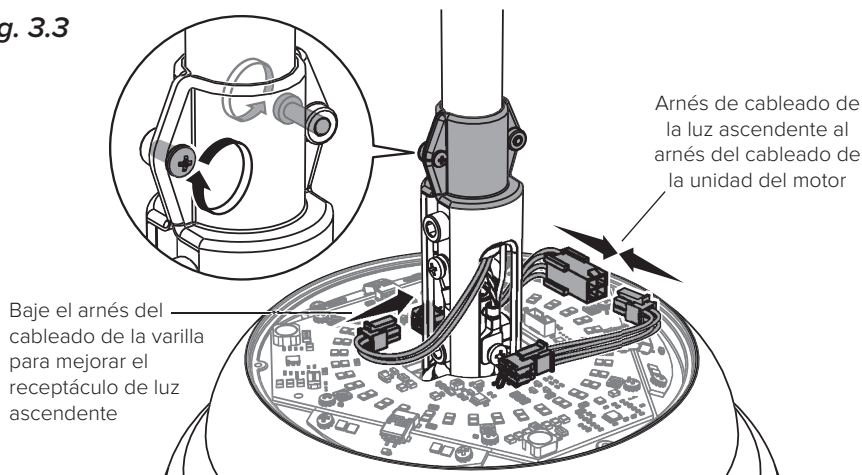
⚠ ADVERTENCIA: Se pueden ocasionar daños en la piel o en los ojos si se ve directamente la luz ultravioleta de la lámpara de este aparato. Siempre desactive la energía antes de volver a encender la lámpara o de realizar el mantenimiento. Reemplace los LED ultravioleta por el modelo núm. 1050-45-50, que fabrica Big Ass Fans.

3. Instale la luz ascendente (opcional) (cont.)

No realice este paso si no está instalando la luz ascendente.

Fije los dos tornillos de la parte superior de la luz ascendente. Conecte el arnés del cableado de luz ascendente al arnés del cableado de la unidad del motor. Conecte el arnés de cableado de la varilla al receptáculo de la luz ascendente (Fig. 3.3).

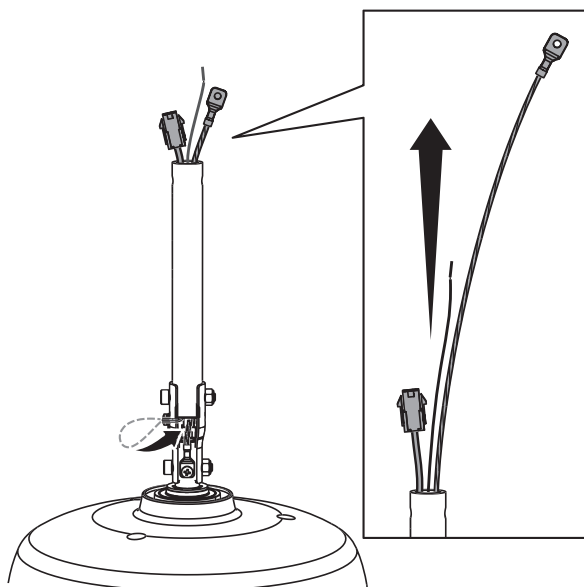
Fig. 3.3



4. Reduzca la holgura

Cerciórese de que todos los accesorios estén asegurados y, luego, tire suavemente de los cables en la parte superior de la varilla para reducir la holgura (Fig. 4).

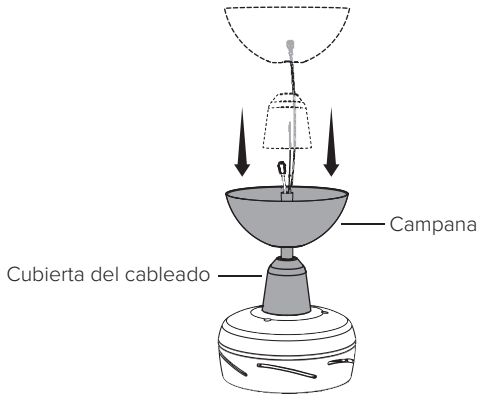
Fig. 4



5. Colocación de la cubierta del cableado y la campana

Deslice la cubierta del cableado hacia abajo por la varilla hasta llegar al cubo del ventilador. Asegúrese de que no haya cables visibles entre la cubierta y el cubo del ventilador. Deslice la campana hacia abajo por la varilla hasta llegar a la cubierta del cableado (Fig. 5).

Fig. 5



6. Instalación de la bola de montaje

Deslice la bola de montaje por la varilla (Fig. 6.1).

Inserte el pasador de acero de 6 mm en el orificio que se encuentra en la parte superior de la varilla y, luego, deslice la bola de montaje hacia arriba, fijando el pasador en las ranuras interiores (Fig. 6.2).

Inserte la cuña en la bola de montaje y asegúrela con el tornillo. Apriete el tornillo lo suficiente para evitar que haya movimiento entre la bola de montaje y la varilla, pero tampoco lo apriete demasiado (Fig. 6.3).

Fig. 6.1

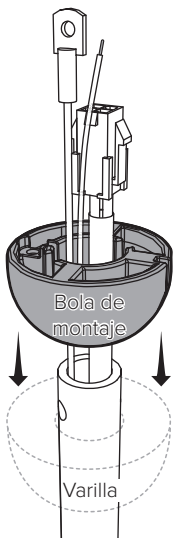


Fig. 6.2

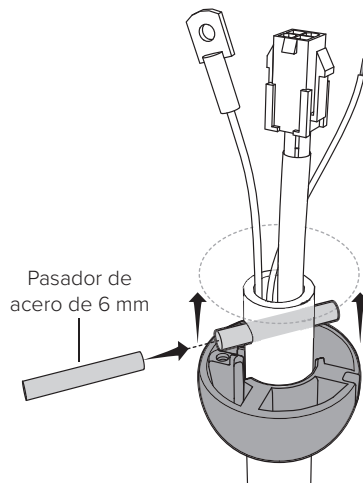
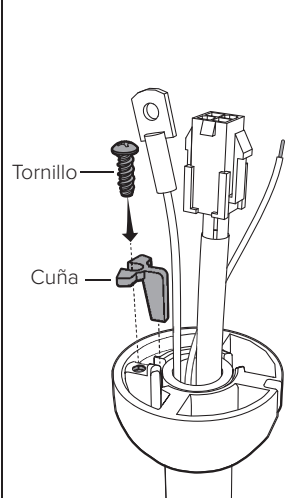


Fig. 6.3

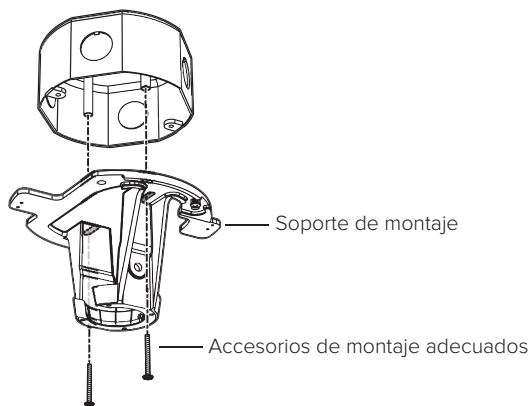


7. Instalación del soporte de montaje

- ⚠ **Antes de instalar el soporte de montaje, desconecte la corriente del lugar donde se colocará el ventilador.**
- ⚠ **ADVERTENCIA: monte solo en una caja de distribución marcada como aceptable para soportar el ventilador.**

Asegure el soporte de montaje a la estructura de montaje con los accesorios pertinentes (no proporcionados) (Fig. 7). *Se muestra la caja de distribución. Su estructura de montaje puede diferir de la que se muestra en la ilustración. Con fines de claridad, se omitió la fuente de alimentación en la ilustración del soporte de montaje.*

Fig. 7

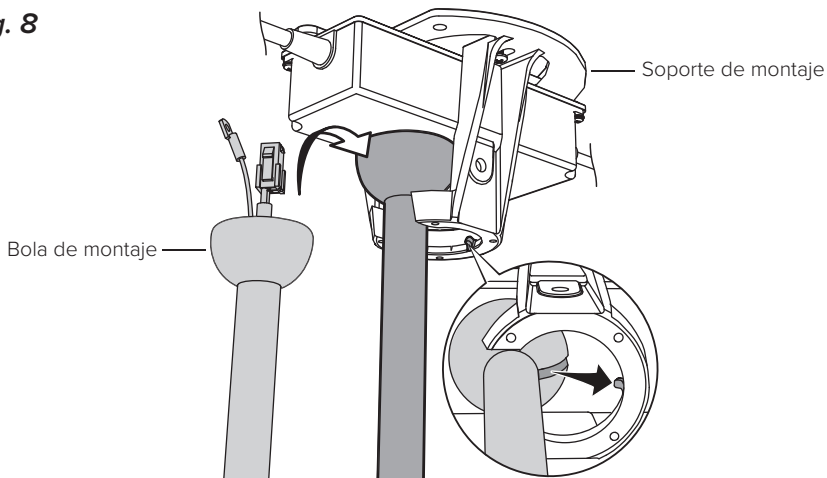


8. Cómo colgar el ventilador

Eleve el ventilador hasta el soporte de montaje. Alinee la pestaña del soporte de montaje con la ranura de la bola de montaje, coloque la bola de montaje en su lugar y permita que el ventilador cuelgue libremente (Fig. 8).

Gire con cuidado la varilla para asegurarse de que esté bien colocada y evitar que se mueva mientras funciona el ventilador.

Fig. 8



9a. Cableado del ventilador (sin filtro EMI)

⚠ Antes de cablear el ventilador, desconecte la corriente del lugar donde se hará la instalación.

⚠ No utilice el ventilador con un interruptor de atenuación o un interruptor de terceros.

Cablee el ventilador como se muestra usando los conectores para cables (Fig. 9a). Conecte el cable de tierra color verde al soporte de montaje con el tornillo sin pintar. Conecte el arnés del cableado de la fuente de alimentación al arnés del cableado de la varilla, asegurándose de que el cableado y el cable de seguridad estén orientados en la misma dirección.

Introduzca cuidadosamente los cables en la caja de distribución o estructura del edificio. Asegúrese de que los conectores miren hacia arriba y que los cables estén distribuidos por separado con conductores conectados a tierra en un costado de la caja de distribución o estructura de montaje y los conductores sin conexión a tierra en el otro costado.

Fig. 9a

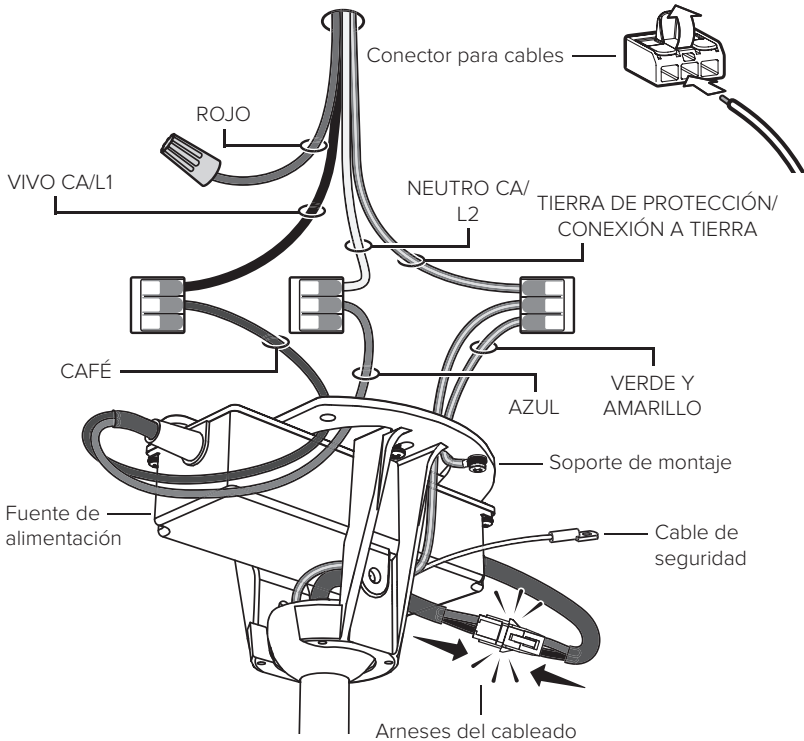


Gráfico de colores de los cables de alimentación

	Norteamérica 100–120 V	Australia	Todas las demás regiones
Vivo CA/L1 Café	Negro	Café o rojo	Café
Neutro CA/L2 Azul	Blanco	Negro o azul claro	Azul
Tierra de protección/ conexión a tierra Verde con amarillo	Verde o cobre desnudo	Verde con amarillo	Verde con amarillo

9b. Cableado del ventilador (con filtro EMI)

⚠ Antes de cablear el ventilador, desconecte la corriente del lugar donde se hará la instalación.

⚠ No utilice el ventilador con un interruptor de atenuación o un interruptor de terceros.

Cablee el ventilador como se muestra usando los conectores para cables (Fig. 9b). Conecte el cable de tierra color verde al soporte de montaje con el tornillo sin pintar. Conecte el arnés del cableado de la fuente de alimentación al arnés del cableado de la varilla, asegurándose de que el cableado y el cable de seguridad estén orientados en la misma dirección.

Introduzca cuidadosamente los cables en la caja de distribución o estructura del edificio. Asegúrese de que los conectores miren hacia arriba y que los cables estén distribuidos por separado con conductores conectados a tierra en un costado de la caja de distribución o estructura de montaje y los conductores sin conexión a tierra en el otro costado.

Fig. 9b

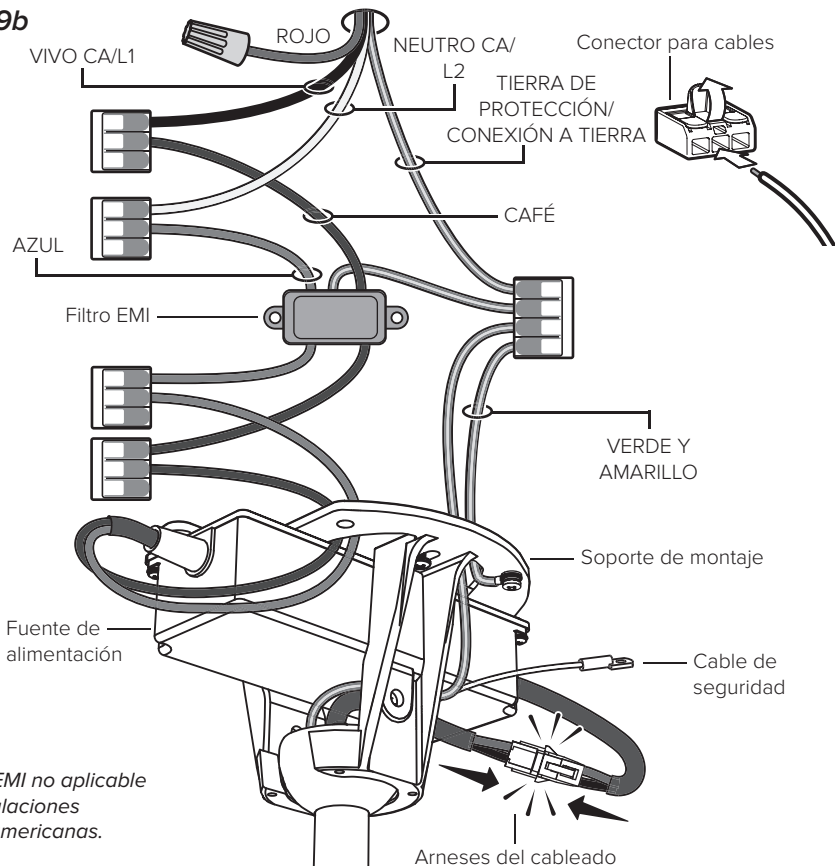


Gráfico de colores de los cables de alimentación

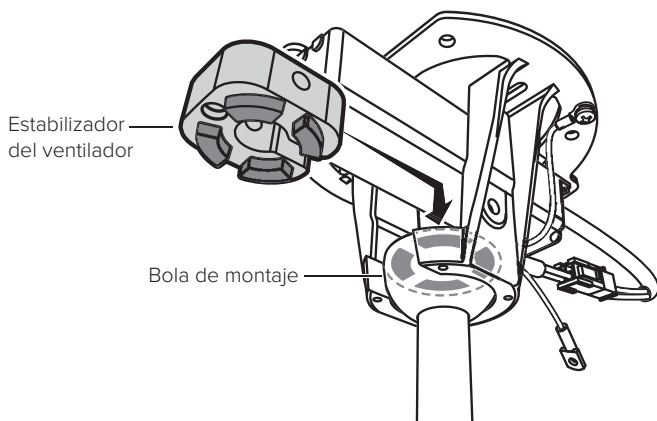
	Norteamérica 100–120 V	Australia	Todas las demás regiones
Vivo CA/L1 Café	Negro	Café o rojo	Café
Neutro CA/L2 Azul	Blanco	Negro o azul claro	Azul
Tierra de protección/ conexión a tierra Verde con amarillo	Verde o cobre desnudo	Verde con amarillo	Verde con amarillo

10. Instalación del estabilizador del ventilador (opcional, solo para ventilador de exteriores)

El estabilizador del ventilador se incluye únicamente si se compra como accesorio de un ventilador de exteriores.

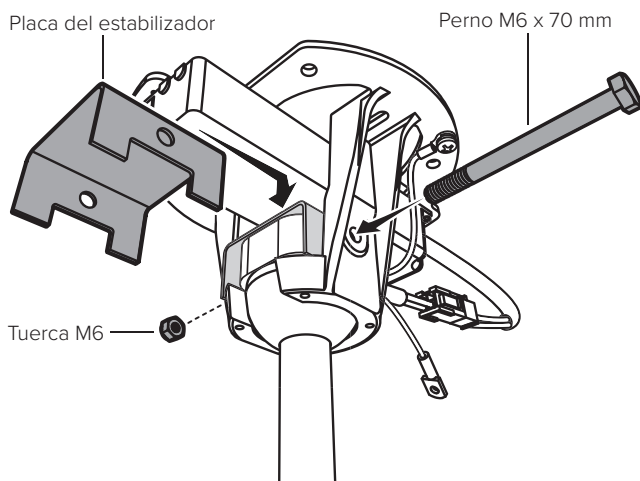
Si compró el kit del estabilizador del ventilador, embone el estabilizador en las muescas de la parte superior de la bola de montaje (Fig. 10.1).

Fig. 10.1



Asegure la placa del estabilizador al estabilizador con un perno M6 x 70 mm y una tuerca M6 (Fig. 10.2).

Fig. 10.2



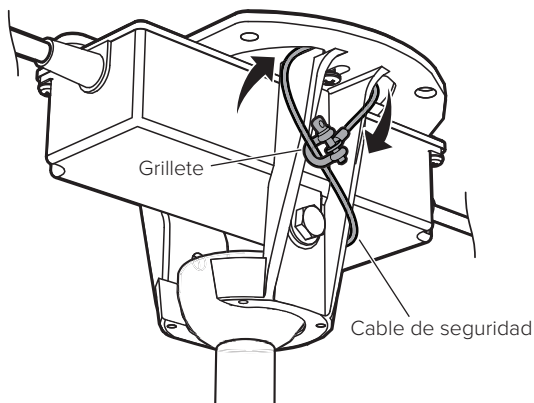
11. Fijación del cable de seguridad

Algunos códigos de seguridad locales exigen que el cable de seguridad se fije directamente a una parte existente de la estructura del edificio (Canadá, Singapur). Es posible que sea necesario instalar materiales estructurales adicionales para proporcionar puntos de fijación. Si tiene dudas, verifique el código de seguridad local. Comuníquese con Atención al cliente para solicitar ayuda.

Soporte de montaje

Haga pasar el cable de seguridad alrededor del soporte de montaje y, luego, asegúrelo con el grillete (Fig. 11.1).

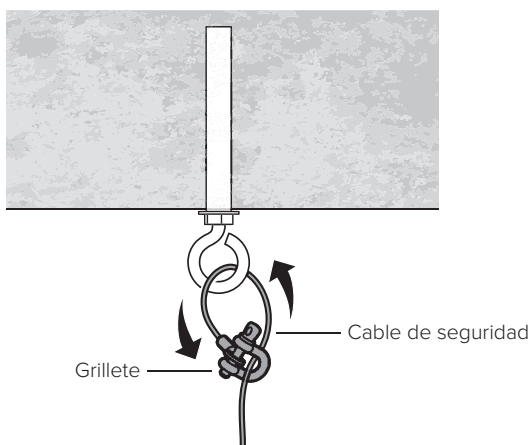
Fig. 11.1



Gancho de anclaje

Haga pasar el cable de seguridad alrededor del gancho de anclaje y, luego, asegúrelo con el grillete (Fig. 11.2).

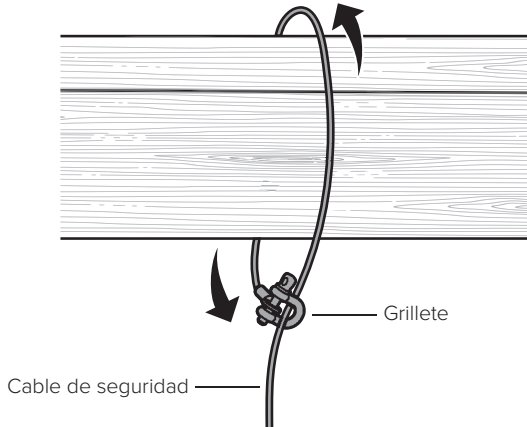
Fig. 11.2



Estructura del edificio

Haga pasar el cable de seguridad alrededor de la estructura del edificio y, luego, asegúrelo con el grillete (Fig. 11.3). Las estructuras aceptables incluyen una viga de madera o una abrazadera de montaje de metal asegurada entre las dos vigas. En algunos casos, es posible que sea necesario instalar material estructural adicional para proporcionar puntos de sujeción.

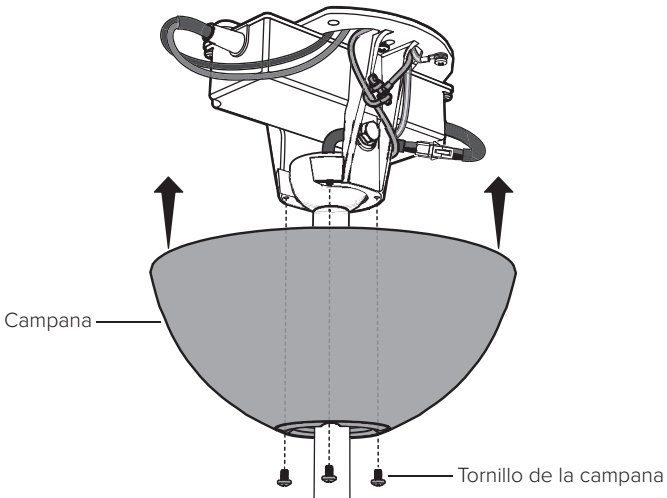
Fig. 11.3



12. Elevación de la campana

Eleve la campana hasta el soporte de montaje, alineando los cuatro orificios de la campana con los del soporte. Fije la campana en el soporte de montaje con los tornillos pintados (Fig. 12). Cerciñese de que todos los cables y el cable de seguridad queden en el interior de la campana.

Fig. 12



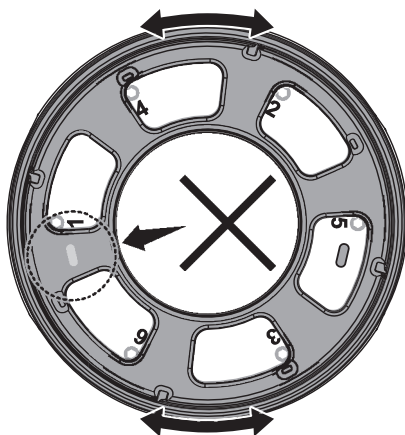
13. Instalación de las aspas aerodinámicas



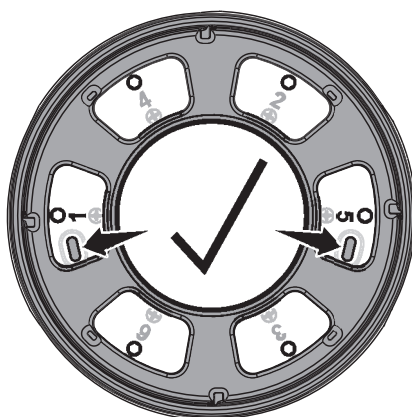
En caso de instalar varios ventiladores, no mezcle las aspas aerodinámicas de diferentes unidades de motor. Cada juego de aspas aerodinámicas debe instalarse en la unidad de motor con la que se envían.

Antes de instalar las aspas aerodinámicas, verifique que los números del 1 al 6 que se encuentran en la parte inferior del ventilador estén centrados en las seis aberturas y que las dos pestañas amarillas junto a los números 1 a 5 estén visibles (Fig. 13.1). Puede que tenga que presionar las pestañas amarillas y girar el cubo del ventilador hasta que los seis números estén visibles y centrados.

Fig. 13.1



Cubo mal alineado

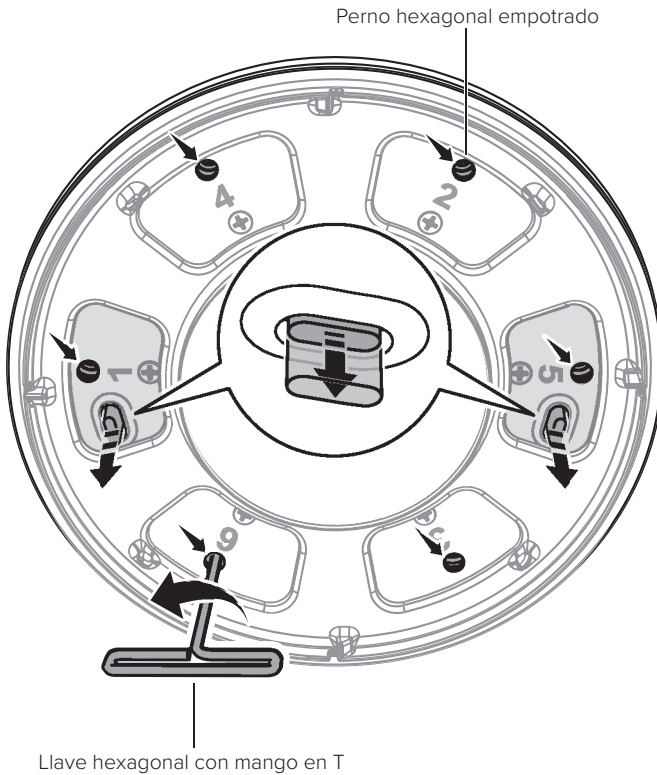


Cubo correctamente alineado

Antes de instalar las aspas aerodinámicas, utilice la llave hexagonal con mango en T proporcionada para aflojar los seis pernos hexagonales empotrados sobre cada número. **NO afloje los seis tornillos Phillips debajo de cada número. Afloje los seis pernos hexagonales empotrados hasta que las dos pestañas amarillas hayan descendido tanto como sea posible (Fig. 13.2). Las aspas aerodinámicas no se pueden insertar en la unidad del motor hasta que los seis pernos hexagonales estén totalmente flojos y hasta que las dos pestañas amarillas estén lo más abajo posible.**

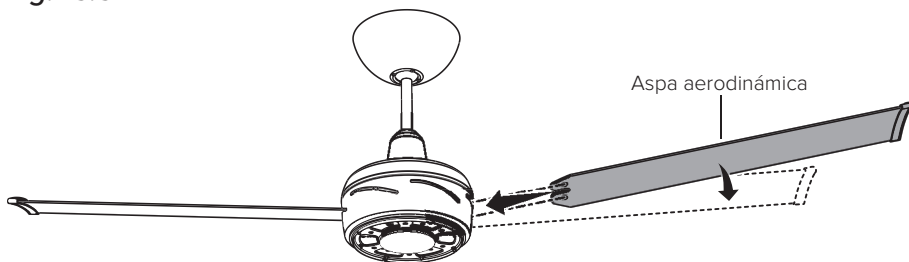
Fig. 13.2

Asegúrese de que las dos pestañas amarillas estén lo más abajo posible.



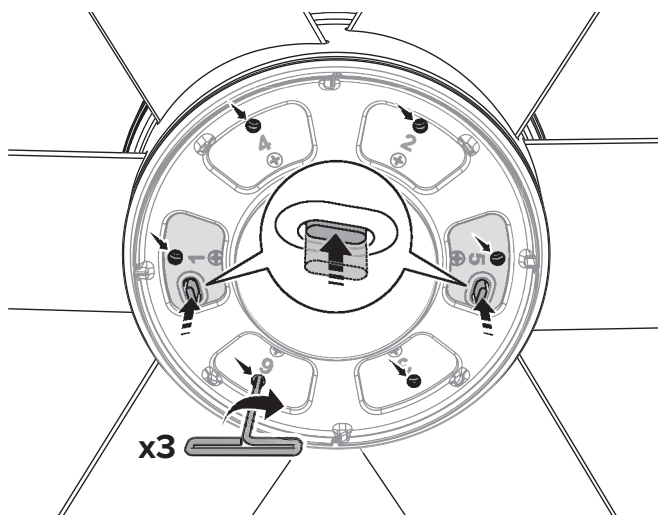
Coloque las aspas aerodinámicas en las ranuras laterales de la unidad del motor tal como se ilustra (Fig. 13.3). Instale cada aspa aerodinámica del lado opuesto del ventilador donde instaló el aspa anterior para evitar que el ventilador se incline. Verifique que todas las aspas aerodinámicas estén totalmente asentadas en las ranuras y que la etiqueta numerada de cada aspa coincida con el número en la parte inferior del ventilador. **NO ajuste los seis pernos hexagonales empotrados hasta no haber insertado todas las aspas aerodinámicas.**

Fig. 13.3



Utilice la llave hexagonal con mango en T proporcionada para ajustar los **seis pernos hexagonales empotrados sobre cada número en la parte inferior del ventilador siguiendo la secuencia numerada**. **NO ajuste ni afloje los seis tornillos Phillips debajo de cada número**. Utilice la llave para girar cada perno hexagonal tres vueltas completas antes de pasar al siguiente perno de la secuencia. Continúe girando cada perno hexagonal tres vueltas siguiendo la secuencia numerada hasta que los seis pernos estén totalmente ajustados y que las pestañas amarillas junto a los números 1 y 5 estén a ras con las aberturas de las pestañas (Fig. 13.4).

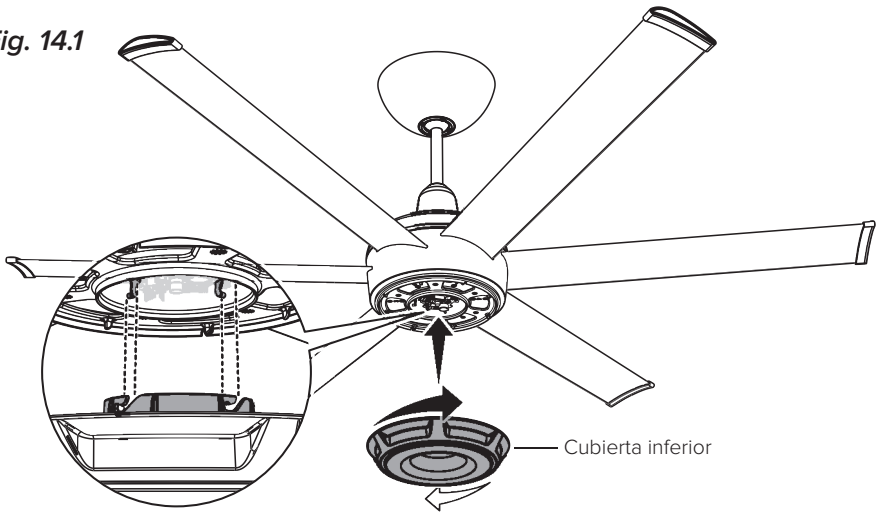
Fig. 13.4



14a. Instalación de la cubierta inferior

Alinee las ranuras de la cubierta inferior con las lengüetas de la parte inferior del ventilador y gire la cubierta en el sentido de las manecillas del reloj para asegurarla (Fig. 14.1).

Fig. 14.1

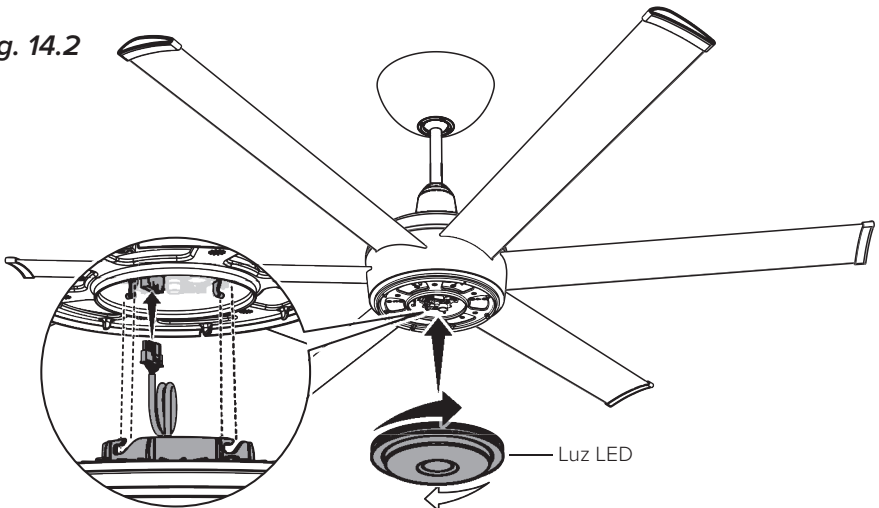


14b. Instalación de la luz LED (opcional)

⚠ PRECAUCIÓN: para reducir el riesgo de choque eléctrico, desconecte la alimentación al ventilador antes de instalar la luz LED.

Conecte el arnés de los cables de la luz LED en el receptáculo de la parte inferior del ventilador. Alinee las ranuras de la luz con las lengüetas de la parte inferior del ventilador y gire en el sentido de las manecillas del reloj para asegurarlas (Fig. 14.2).

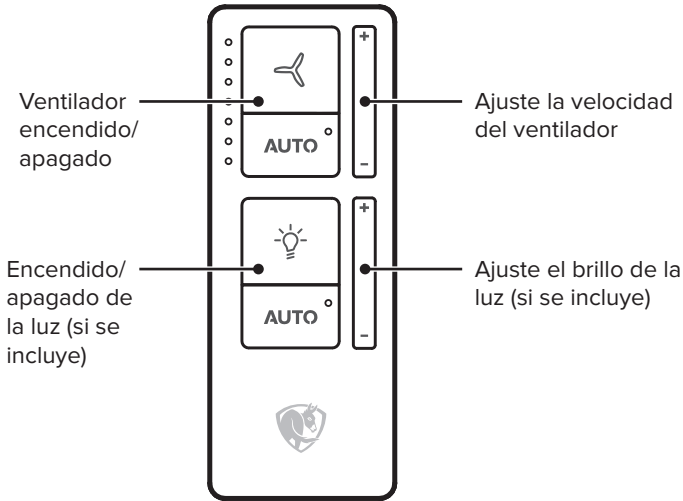
Fig. 14.2



Use solo los kits de luz marcados como "Apto para usarse en lugares húmedos".
Utilice únicamente el kit de luz modelo 010450. Peso del kit de luz: 2.2 lb (998 g)

¡Felicidades!

Ha terminado la instalación. Conecte la corriente y pruebe su ventilador usando el control remoto.



AUTO

Presione Auto para activar la detección de movimiento y el ajuste automático de la velocidad del ventilador de acuerdo con los cambios en las condiciones de la habitación. Para ajustar sus preferencias automáticas, descargue la aplicación móvil de Big Ass Fans.



Presione y mantenga pulsado para cambiar los modos de control:

- Solo luz ascendente
- Solo luz LED
- Ambas luces simultáneamente

Para cambiar el color del LED (solo para la luz ascendente) o la temperatura del color, o bien para encender la opción UV-C de la luz ascendente (si está instalada), descargue la aplicación móvil de Big Ass Fans. *Nota: La opción UV-C solo se encenderá mientras el ventilador esté girando.*

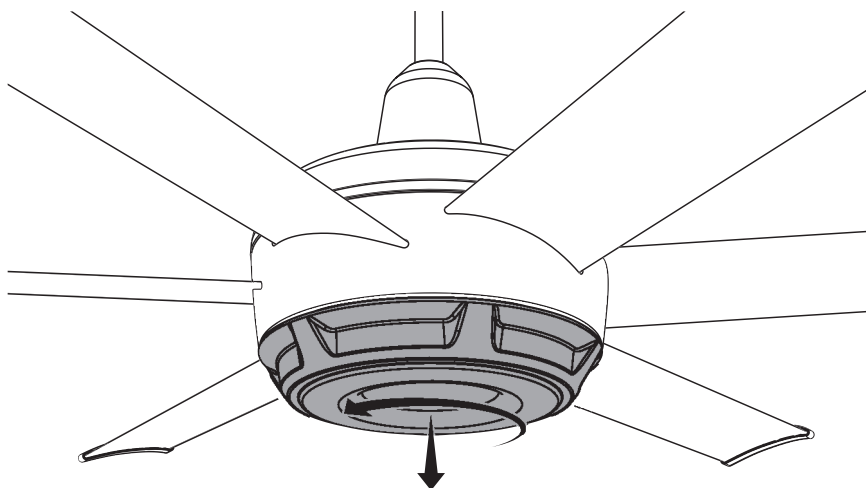


Para obtener más información sobre el funcionamiento, mantenimiento y resolución de problemas, visite bigassfans.com/support.

Cómo retirar la cubierta inferior o la luz LED

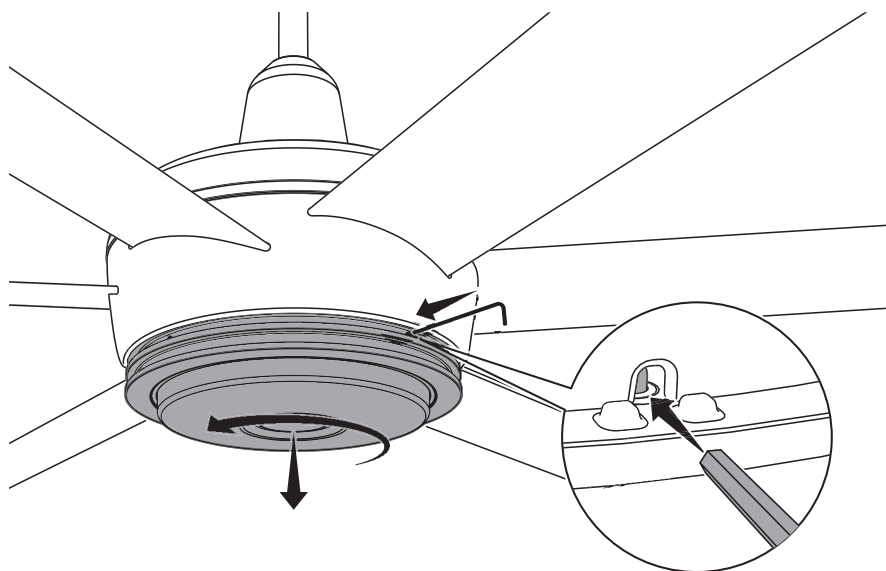
Si necesita retirar la cubierta inferior, gírela en sentido contrario a las manecillas del reloj y deslícela hacia abajo (Fig. 15.1).

Fig. 15.1



Si necesita retirar la luz LED, utilice un objeto largo y delgado, como una llave Allen pequeña o la punta de un bolígrafo, para presionar la lengüeta de la misma. Mientras lo hace, gire la luz en sentido contrario a las manecillas del reloj y deslícela (Fig. 15.2).

Fig. 15.2



MANTENIMIENTO Y LIMPIEZA

⚠ ADVERTENCIA: Riesgo de incendio, choque eléctrico o lesión personal al limpiar o dar mantenimiento al aparato. Desconéctelo de la fuente de alimentación antes de darle servicio.

⚠ ADVERTENCIA: se pueden ocasionar daños en la piel o en los ojos si se ve directamente la luz ultravioleta de la lámpara de este aparato. Siempre desactive la energía antes de volver a encender la lámpara o de realizar el mantenimiento.

Realice los siguiente procedimientos de mantenimiento preventivo de forma anual para garantizar un funcionamiento seguro y eficiente de su ventilador.

Inspección del cable de seguridad

Verifique que el cable de seguridad esté instalado correctamente quitando los tornillos de la campana, deslizando la campana hacia abajo por la varilla y revisando el cable de seguridad y los accesorios.

Inspección de los accesorios

Verifique que los accesorios de montaje y los tornillos que fijan las aspas aerodinámicas al cubo del ventilador estén bien asegurados. Apriete los seis tornillos de las aspas en la parte inferior del ventilador de acuerdo con la secuencia de números. Al terminar, repita la secuencia para volver a apretarlos.

Inspección del cableado

Verifique que los conectores de cables estén bien asegurados y que los cables de tierra estén debidamente conectado.

Limpieza de las aspas aerodinámicas

Retire el polvo de las aspas aerodinámicas regularmente. Si el ventilador se ensucia, límpielo con un paño humedecido con agua y jabón. ¡No use solventes, gasolina ni ningún otro limpiador que contenga sustancias químicas! Estos podrían causar deformaciones en la superficie y daños al ventilador.

Limpieza de la luz ascendente

Limpie el LED periódicamente para garantizar un desempeño óptimo. Utilice un producto de aire comprimido para eliminar el polvo y los residuos de los LED. No toque los LED mientras los limpia. Sostenga la lata del eliminador de polvo en posición vertical al utilizarla.

CONTACT US

Nous contacter | En contacto con nosotros

United States

2348 Innovation Drive
Lexington, KY 40511
USA
877-244-3267
Outside the U.S. (+1 859-233-1271)
bigassfans.com

Australia

35 French Street
Eagle Farm, Brisbane
QLD 4009
Australia
+61 1300 244 277
bigassfans.com/au

Manufacturer

2348 Innovation Drive
Lexington, KY 40511
USA

Manufacturing Site

2251 Innovation Drive
Lexington, KY 40511
USA

Warranty and WEEE Returns

2201 Jaggie Fox Way
Lexington, KY 40511
USA

Canada

2180 Winston Park Drive
Oakville, Ontario L6H 5W1
Canada
1 844-924-4277
bigassfans.com/ca

Singapore

50 Ubi Crescent
#01-01 Ubi TechPark
Singapore 408568
+65 6709 8500
bigassfans.com/sg

All Other Geographies

+1 859-410-6286
bigassfans.com

EPA Est. 97457-KY-1

The information contained in this document is subject to change without notice. For the most up-to-date information, see the online printable installation guide at www.bigassfans.com/support

www.bigassfans.com/patents • www.bigassfans.com/product-warranties



BIG ASS FANS[®]

bigassfans.com



ES6-INST-371-MUL-01
REV. H 10/14/2024